

smartmi

Smartmi Humidifier Rainforest User Manual

Smartmi-Luftbefeuchter Rainforest Bedienungsanleitung

Инструкция по эксплуатации увлажнителя Smartmi Rainforest

Manual del usuario del humidificador de selva tropical Smartmi

Istruzioni d'uso dell'Umidificatore Smartmi Rainforest

Smartmi Humidifer Rainforest instrukcja obsługi

Smartmi Luftfuktare Regnskog Användarmanual

Table of Contents

Smartmi Humidifier Rainforest User Manual

WARNING	01
Product Description	03
Display Description	04
Use	05
Filter Replacement	08
Maintenance and Care	09
Notes	11
Basic Specifications	12

Inhaltsverzeichnis

Smartmi-Luftbefeuchter Rainforest Bedienungsanleitung

Warnung	14
Produktübersicht	17
Beschreibung des Displays	18
Verwendung	19
Filterelement austauschen	22
Wartung und Pflege	23
Vorsichtsmaßnahmen	25
Grundlegende Parameter	26

Оглавление

Инструкция по эксплуатации увлажнителя Smartmi Rainforest

Предупреждение	28
Описание продукта	31
Данные дисплея	32
Использование	33
Замена фильтрующего элемента	36
Обслуживание и уход	37
Особые замечания	39
Основные параметры	40

Índice

Manual del usuario del humidificador de selva tropical Smartmi

Advertencia	42
Descripción General del Producto	44
Descripción de la pantalla	45
Uso	46
Cambio del filtro	49
Mantenimiento y cuidado	50
Precauciones	52
Especificaciones	53

Indice

Istruzioni d'uso dell'Umidificatore Smartmi Rainforest

Avvertenza	55
Panoramica sul prodotto	57
Introduzione dello schermo	58
Utilizzo	59
Sostituire l'elemento filtrante	62
Manutenzione e Riparazione	63
Precauzioni	65
Parametri fondamentali	66

Spis treści

Smartmi Humidifer Rainforest instrukcja obsługi

Środki ostrożności	68
Podstawowe informacje	70
Opis wyświetlacza	71
Użytkowanie	72
Wymiana filtra	75
Konserwacja produktu	76
Środki ostrożności	78
Podstawowe parametry	79

Innehållsförteckning

Smartmi Humidifier Rainforest User Manual

Varningar	81
Produktbeskrivning	83
Display-beskrivning	84
Användning	85
Filterbyte	88
Underhåll	89
Notering	91
Specifikationer	92

WARNING

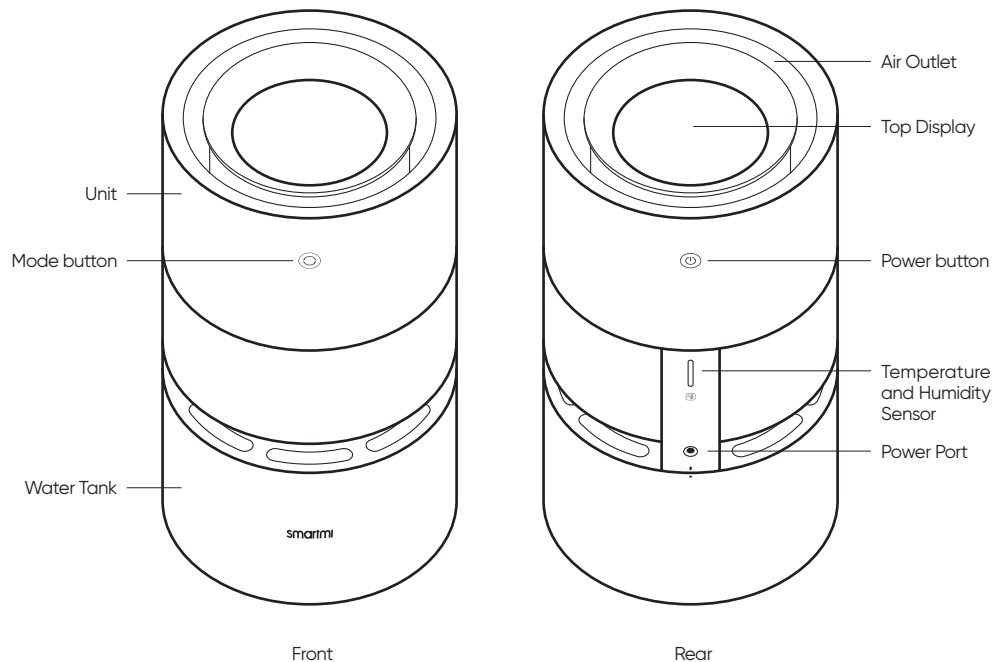
- This appliance is not intended for use by persons (including children) with reduced physical, sensory or mental capabilities, or lack of experience and knowledge, unless they have been given supervision or instruction concerning use of the appliance by a person responsible for their safety.
- Children shall not play with the appliance.
- Cleaning and user maintenance shall not be made by children without supervision.
- Keep the appliance out of the reach of children. Steam and boiling water may cause burns.
- Be aware that high humidity levels may encourage the growth of biological organisms in the environment.
- Do not permit the area around the humidifier to become damp or wet. If dampness occurs, turn the output of the humidifier down. If the humidifier output volume cannot be turned down, use the humidifier intermittently. Do not allow absorbent materials, such as carpeting, curtains, drapes, or tablecloths, to become damp.
- Unplug the appliance during filling and cleaning.
- Never leave water in the reservoir when the appliance is not in use.

- Empty and clean the humidifier before storage. Clean the humidifier before next use.
- To prevent electric shocks, fire, personal injury and other damage, do not use the humidifier when:
 - The main body of the humidifier is tilted. Tilting the humidifier may cause the water level to be reported incorrectly or the water to overflow. The humidifier should be placed on a flat and stable surface while in use.
 - There are nearby objects that may fall or are unstable.
 - In hot, humid or wet places such as bathrooms.
- Power the humidifier using the standard adapter supplied with the humidifier. Due to safety considerations, damaged adapters or power cords must be replaced by the manufacturer or a professional from a designated repair service provider.
- For Use Only With Zhongshan Baolijin Electronic Co.,Ltd. BLJ9W120075P-VA Charger.
- Do not disassemble the product yourself unless disassembly is required for maintenance. For repair information, contact Smartmi Customer Service.

Product Description

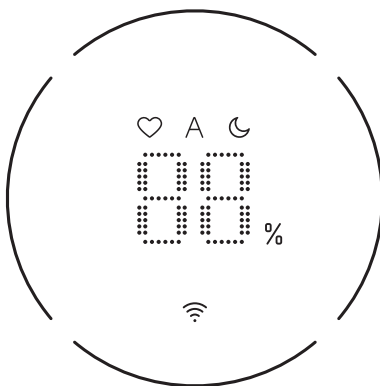
Package List: Unit, Water Tank, Adapter, User Manual

Read this manual carefully before use, and retain it for future reference.



Note: In this manual, the illustrations of the product and its accessories and the user interface are schematic diagrams for reference only. The actual product may vary from that shown in the schematic diagrams due to product updates and upgrades. Please refer to the actual product.

Display Description




Ambient Humidity Display



Gear Mode

 **Max:** The device is operating in maximum humidification mode.

 **Automatic:** the rotation speed is automatically set based on the current humidity

 **Sleep:** Ultra-low noise operation



Wi-Fi Indicator



Water Level Ring Indicator

Low Water Level

 When the device detects a low water level (tank water level <15%), the Water Level Ring Indicator blinks red.

Display of Real-time Water Level

When the humidification page is displayed, the ring indicator indicates the real-time water level.

 15%-25%

 25%-50%

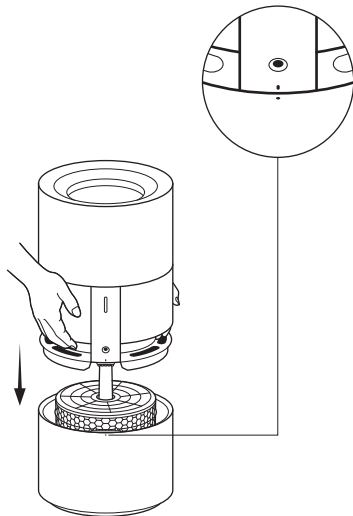
 50%-75%

 75%-100%

Use

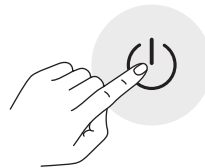
Installation

Bring the unit and water tank points into alignment and install the unit as shown in the picture. Plug in the power adapter to power on the device.



Turning the Device On/Off

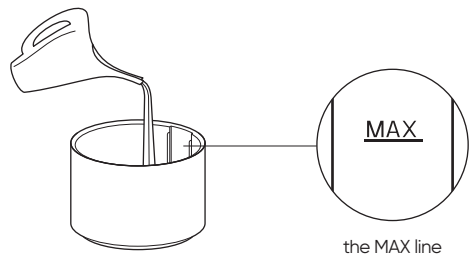
Press the power button on the back of the unit to power the device on/off.



Filling the Device

Pure water is recommended to avoid scaling.

Fill the water tank up to the high water level (the MAX line) as shown in the picture on the right .



Tip: Keep the unit upright.

Use

Linking the Device to Smartmi Link

This product has been linked to the Smartmi Link and can be controlled using the app.

Scan the QR code or search for "Smartmi Link" on the app store to download and install the app. Go to the app's homepage, click "+" in the middle of the page, then add the device as prompted.



Note:

- Please ensure that your Wi-Fi network is both available and has Internet access. Place your phone as close to this product as possible. (This product does not support 5G networks)
- This product will be listed as "Smartmi Humidifier Rainforest" in the app's device listing.

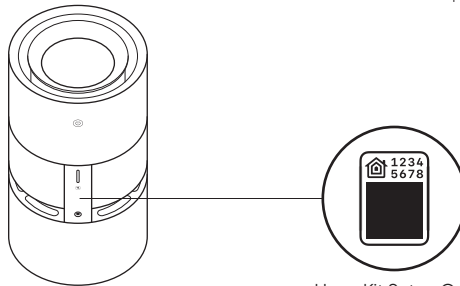
Intelligent Control with Apple HomeKit

- 01 Open the Home app on your iPhone/iPad.
- 02 Tap "Add Accessory" and then scan the HomeKit setup code on the product sticker (two stickers on the device unit, see illustration), or enter the eight-digit setup code above the HomeKit Setup Code. The device will then be linked to the Apple Home app.

The device can be linked to Smartmi Link after linking to HomeKit. Go to the Personal Info page on Smartmi Link. Tap "HomeKit Info" and then link the HomeKit device as prompted. Devices linked to Smartmi Link can also be added to HomeKit. Go to the Device Control page on Smartmi Link. Tap "Add to HomeKit" in "Settings" and then link the device to HomeKit as prompted.

Note:

- Please ensure that your Wi-Fi network is both available and has Internet access. Place your phone as close to this product as possible. (This product does not support 5G networks).
- To control this accessory which is compatible with HomeKit, it is recommended to use iOS 13.0 or a later version.
- Please keep the HomeKit setup code, as you will need to scan the code to link the device to HomeKit after a factory reset.
- iPad and iPhone are trademarks of Apple Inc., registered in the U.S. and other countries.
- Controlling this HomeKit-enabled accessory automatically and away from home requires a HomePod, Apple TV, or iPad set up as a home hub. It is recommended that you update to the latest software and operating system.



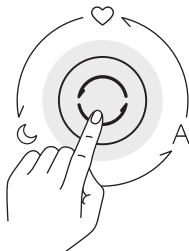
HomeKit Setup Code

* If you need more detailed instruction, please visit: <https://www.smartmiglobal.com/pages/helpcenter>

Use

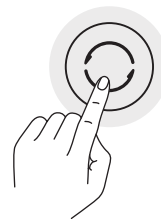
Switching Between Modes

While the device is turned on, press the Mode button on the front of the device to switch between three modes in sequence (Max - Automatic - Sleep).



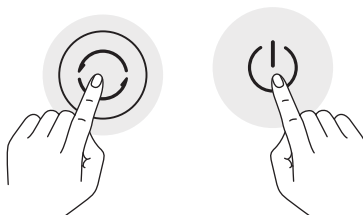
Wi-Fi Resetting

When you connect the App for the first time or fail to connect, press and hold the Mode button for seven seconds. The Wi-Fi icon will blink and the device will issue a notification tone signifying that the device is ready to be connected and the Wi-Fi has been reset.



Enabling/Disabling Wi-Fi

Tap and hold the power button and mode button for 7 seconds. The humidifier will make a notification sound and the Wi-Fi will be disabled. While the Wi-Fi is disabled, tap and hold the power button and mode button for 7 seconds. The humidifier will make a notification sound and the Wi-Fi will be enabled.



Self-cleaning Mode

Use the app to enable or disable self-cleaning mode. After the self-cleaning task is completed, the device will issue a notification tone, power off, and darken the screen.

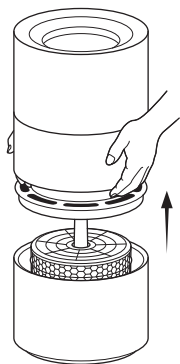
Filter Replacement

Warning: Before replacing the filter, ensure that the device has been turned off and unplugged.

Note: To avoid injury, avoid placing your fingers in between the unit and the water tank when replacing the filter. Keep the unit upright.

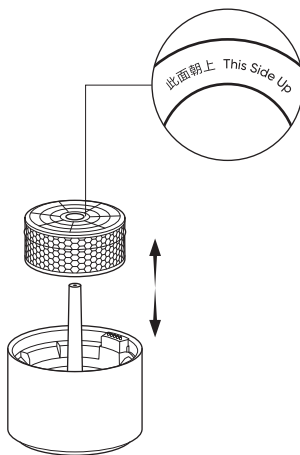
01 Remove the unit

Remove the unit by pulling it up.



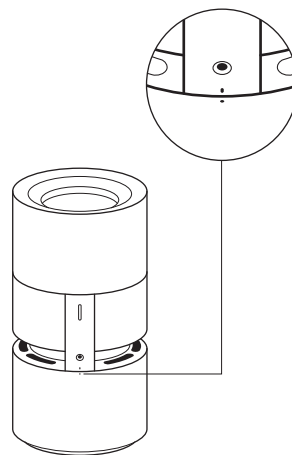
02 Take out the used filter and install a new one.

Take out the used filter, install a new one face up.



03 Install the Unit

Bring the unit and water tank points into alignment and install the unit.



Where can I buy a filter

Scan the QR code or visit Smartmi's official shopping mall
<https://smartmiglobal.com/products/smartmi-humidifier-rainforest-filter> for more information.

Tips:

- It is recommended that the filter be replaced every six months to a year.
- Please buy genuine compatible filters from official channels only.

Maintenance and Care

Warning: Be sure to turn off and unplug the device before performing the following operations. Keep the unit upright when cleaning the device.

Cleaning the Device

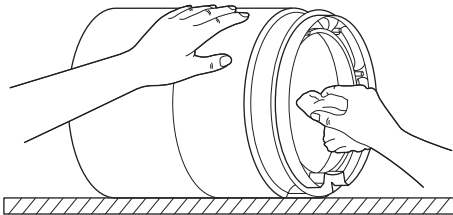
A reasonable amount of food-grade citric acid detergent is recommended for cleaning and removing sediment from the water tank, the transparent window, and the filter. In general, it is recommended that you allow the max mode to run for approximately 15 minutes (though this can be shortened or lengthened depending on the actual conditions). Rinse the water tank, water collector, and filter with clean water once you have finished.

Notes:

- To avoid damaging the device during the cleaning process, ensure that the temperature of the water used to clean the device does not exceed 35°C.
- To avoid damaging the device, do not use detergents that are highly acidic or alkali-based or other highly corrosive cleaning solutions.

Cleaning the Transparent Window

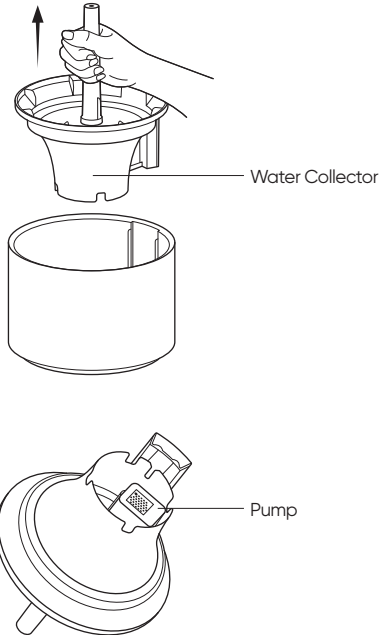
Remove the unit and place it on a horizontal table. While holding the device with one hand, use your other hand to wipe the inner wall of the transparent window gently with a soft cloth.



Note: Rinsing the unit is prohibited. Before wiping the unit, wring out the soft cloth thoroughly to avoid damaging from excess water.

Cleaning the Pump

After removing the unit and the filter, take out the water collector from the water tank and turn it over. Brush the pump gently with a soft brush.

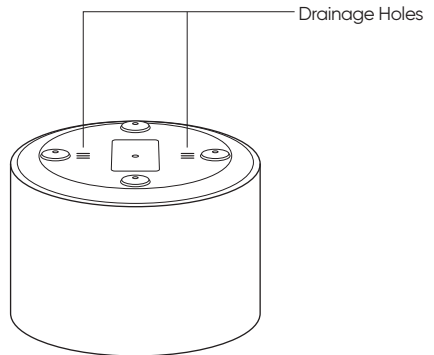
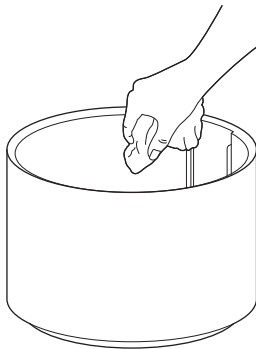


Maintenance and Care

Cleaning the Water Tank

To prevent the water tank from becoming contaminated and producing an unpleasant odor, rinse the water tank with clean water or wipe it with a soft cloth to keep it clean.

There are drainage holes at the bottom of the water tank. Do not use the water tank straight away after it has been fully rinsed or after adding too much water by accident. Instead, place the water tank on the ground with the drainage holes facing down to drain the water from inside the tank.



Note: It is recommended that the water tank be cleaned once a week or as required by the frequency of use.

Notes

Moving

- Always turn the humidifier off and unplug it before moving it.
- Before handling or moving the humidifier, drain any remaining water from the water tank.

Assembling

- Follow the instructions to install the humidifier correctly to prevent electric shocks, fire, personal injury, and other damage.
- Do not turn the humidifier on before it is fully assembled.

Adapter

Follow the instructions below when using the adapter to prevent electric shocks, fire, or damage:

- Connect the adapter plug to an appropriate outlet.
- Do not pinch, bend, or twist the adapter cord excessively. Otherwise, the wire inside may be broken or exposed.
- Unplug the humidifier before servicing or moving the humidifier.
- Use the standard adapter supplied to power the humidifier. Due to safety considerations, damaged adapters or power cords must be replaced by the manufacturer or a professional from a designated repair service provider.

In Use

- If the humidifier generates abnormal noises, produces odors or becomes hot, turn it off immediately.
- Do not put fingers or foreign objects into safety parts, movable parts, air inlets or outlets.
- Do not let objects such as hair or fabric come near the main unit, as these objects may get caught in or block the air inlets and outlets.
- Do not lean on or tilt the humidifier while in use.
- Ensure sufficient ventilation when using the humidifier at the same time as household gas appliances (such as gas stoves and gas water heaters) to prevent carbon monoxide poisoning. Pure water is recommended for the humidifier.
- Depending on the water quality, tap water may cause scale buildup on the pump, filter, inner wall of the water tank, and the transparent window. Scale buildup will affect the normal operation of the humidifier, in which case the humidifier will need to be cleaned as per the instructions in the Maintenance and Care section.

Storage and transportation

- Before long-term storage, make sure that

the water tank and the evaporative tank of the humidifier are completely dry, then put the humidifier assembled for storage in a cool dry place.

- The device should be placed away from heat sources and out of direct sunlight.
- Do not transport at extreme temperatures.

Warnings

- To avoid damaging the humidifier, do not add water of more than 35°C to the water tank.
- Unplug the humidifier before adding water or cleaning.
- The water tank MAX indicates the level beyond which no more water should be added.

Basic Specifications

Product Name	Smartmi Humidifier Rainforest
Model	CJJSQ06ZM
Operating Principle	Flow-through Spray-style Evaporation
Dimensions	Φ220 × 422mm
Net Weight	Approx. 3.3 kg
Rated Input of Adapter	100~240V~, 50/60Hz, 0.3A
Rated Voltage	12V ~
Rated Power	7W
Noise	≤50dB(A)
Rated Humidifying Capacity	200mL/h
Rated Water Tank Capacity	3L
Wireless Connection	Wi-Fi IEEE802.11b/g/n 2.4GHz

Operating Temperature: 10 ~ 40 °C; Humidity: relative humidity no greater than 80% (at 25 °C)

RF Specification:

Wi-Fi 2.4G (2400 - 2483.5 MHz), Max. RF Output Power: <20 dBm
Under normal use of condition, this equipment should be kept a separation distance of at least 20cm between the antenna and the body of the user

Note:

- Noise is measured in a laboratory environment.
- The date of manufacture is indicated on the equipment.

Power Adapter

Information Published	Value and Precision	Unit
Manufacturer	Zhongshan Baolijin Electronic Co.Ltd.	-
Model Identifier	BLJ9W120075P-VA	-
Input Voltage	100-240	V~
Input AC Frequency	50/60	Hz
Output Volatage	12.0	V~
Output Current	0.75	A
Output Power	9.0	W
Average Active Efficiency	83.81	%
Efficiency at Low Load(10%)	75.21	%
No-load Power Consumption	0.072	W

Regulatory Compliance Information

Europe – EU declaration of conformity

CE Hereby, Beijing Smartmi Electronic Technology Co., Ltd. declares that the radio equipment – Smartmi Humidifier Rainforest, type CJJSQ06ZM is in compliance with Directive 2014/53/EU. The full text of the EU declaration of conformity is available at the following internet address: <https://www.smartmiglobal.com/doc.html>

Disposal and recycling information



All products bearing this symbol are waste electrical and electronic equipment (WEEE as in directive 2012/19/EU) which should not be mixed with unsorted household waste. Instead, you should protect human health and the environment by handing over your waste equipment to a designated collection point for the recycling of waste electrical and electronic equipment, appointed by the government or local authorities. Correct disposal and recycling will help prevent potential negative consequences to the environment and human health. Please contact the installer or local authorities for more information about the location as well as terms and conditions of such collection points.



Warnung

- Dieses Gerät ist nicht für die Nutzung durch Personen (inklusive Kinder) mit eingeschränkten körperlichen, sensorischen oder mentalen Fähigkeiten, oder für Personen mit einem Mangel an Erfahrung und Wissen geeignet, es sei denn, diese werden beaufsichtigt oder erhalten von einer Person, die für die Sicherheit dieser Person(en) verantwortlich ist, eine Anleitung bezüglich der Bedienung des Gerätes.
- Kinder dürfen nicht mit dem Gerät spielen.
- Kinder dürfen nur unter Aufsicht Wartungs- oder Reinigungsarbeiten an dem Gerät ausführen.
- Bewahren Sie das Gerät außerhalb der Reichweite von Kindern auf. Andernfalls kann es durch den Dampf und kochendes Wasser zu Verbrennungen oder Verbrühungen kommen.
- Beachten Sie, dass ein hoher Feuchtigkeitsgrad zum Wachstum von biologischen Organismen in der Umgebung führen kann.
- Achten Sie darauf, dass der Bereich, der den Luftbefeuchter umgibt, nicht feucht oder nass wird. Wenn der umgebende Bereich feucht wird, legen Sie die Befeuchtungsleistung auf einen niedrigeren Wert fest. Wenn das Volumen der Befeuchtungsleistung nicht auf

einen niedrigeren Wert festgelegt werden kann, verwenden Sie den Luftbefeuchter mit Unterbrechungen. Lassen Sie nicht zu, dass absorbierende Materialien wie Teppiche, Gardinen, Vorhänge oder Tischdecken feucht werden.

- Trennen Sie das Gerät während der Befüllung oder Reinigung von der Stromquelle.
- Lassen Sie niemals Wasser im Wasserbehälter zurück, wenn Sie das Gerät nicht verwenden.
- Leeren und reinigen Sie den Luftbefeuchter, bevor Sie ihn einlagern. Reinigen Sie den Luftbefeuchter vor der nächsten Verwendung.
- Um Stromschläge, Brände, Gesundheitsschäden oder andere Schäden zu verhindern, sollten Sie den Luftbefeuchter nicht verwenden, wenn:
 - der Körper des Luftbefeuchters geneigt ist. Das Neigen des Luftbefeuchters kann dazu führen, dass der Wasserstand inkorrekt angegeben wird oder dass Wasser überläuft. Der Luftbefeuchter sollte bei der Verwendung auf einer ebenen und stabilen Oberfläche aufgestellt werden.
 - sich in der näheren Umgebung Gegenstände befinden, die

herunterfallen könnten oder nicht feststehend sind.

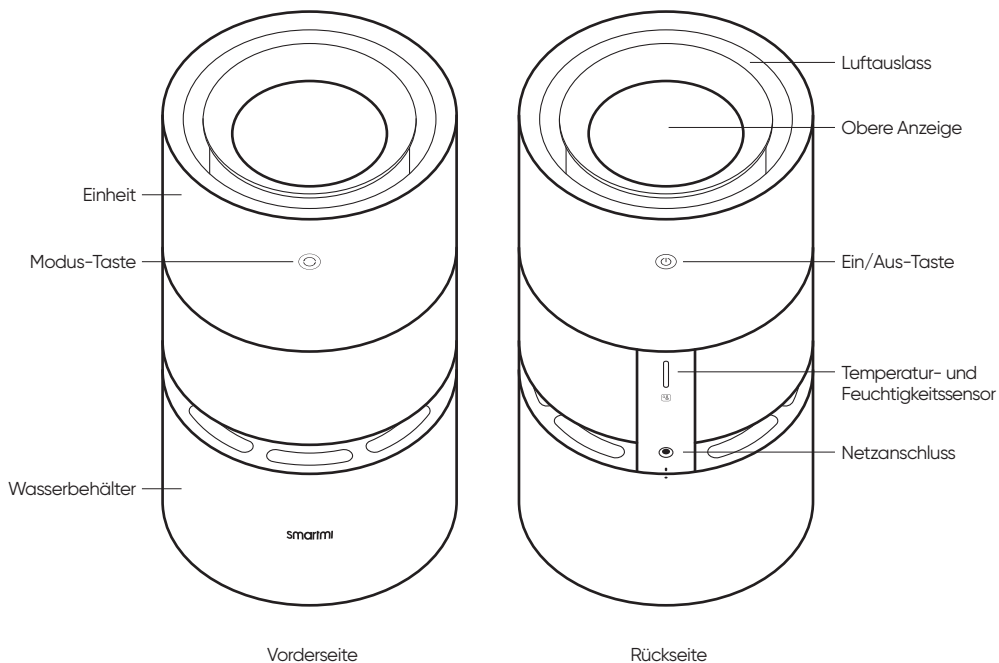
– er sich an heißen, humiden und nassen Orten wie Badezimmern befindet.

- Versorgen Sie den Luftbefeuchter mit Strom, indem Sie den im Lieferumfang des Luftbefeuchters enthaltenen standardmäßigen Netzstecker verwenden. Aufgrund der Sicherheitsbetrachtungen, müssen beschädigte Netzstecker und -kabel vom Hersteller oder von einem Fachmann eines beauftragten Reparaturdienstes ersetzt werden.
- Der Luftbefeuchter darf nur mit dem von Zhongshan Baolijin Electronic Co., Ltd. bereitgestellten Ladegerät BLJ9W120075P-VA verwendet werden.
- Bauen Sie das Gerät nicht selbst auseinander, es sei denn dies ist für die Wartung erforderlich. Für Informationen hinsichtlich der Reparatur, kontaktieren Sie den Smartmi-Kundenservice.

Produktübersicht

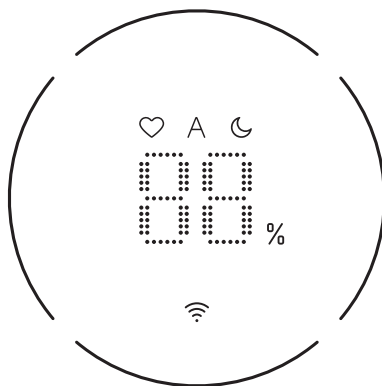
Lieferumfang: Einheit, Wasserbehälter, Netzteil, Bedienungsanleitung

Lesen Sie diese Bedienungsanleitung vor der Verwendung sorgfältig durch, und bewahren Sie sie zum späteren Nachschlagen auf.



Hinweis: Bei den Abbildungen des Produkts und seiner Zubehörteile und der Benutzeroberfläche handelt es sich lediglich um schematische Darstellungen zur Veranschaulichung. Das eigentliche Produkt kann von dem in den Schema dargestellten Produkt aufgrund von Produktaktualisierungen und -verbesserungen geringfügig abweichen. Bitte beziehen Sie sich auf das tatsächliche Produkt.

Beschreibung des Displays



Anzeige der Umgebungsluftfeuchtigkeit



Modus

- ♥ **Maximal:** Gerät arbeitet im maximalen Befeuchtungsmodus
- A **Automatisch:** basierend auf der aktuellen Luftfeuchtigkeit wird die Geschwindigkeit automatisch gewählt
- ☾ **Stand-by:** äußerst geräuscharmer Betrieb



Anzeige Wi-Fi



Ringanzeige für Wasserstand

Niedriger Wasserstand

- Wenn das Gerät einen niedrigen Wasserstand feststellt (Wasserstand im Wasserbehälter <15%), blinkt die Ringanzeige für den Wasserstand rot.

Anzeige des Wasserstands in Echtzeit

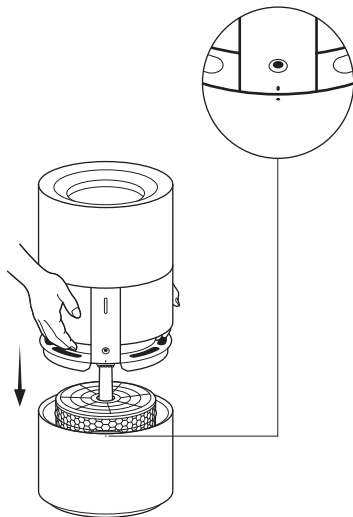
Wenn Sie sich auf der Seite „Befeuchtung“ des Geräts befinden, zeigt die Ringanzeige den Wasserstand in Echtzeit an.

- 15%-25%
- 25%-50%
- 50%-75%
- 75%-100%

Verwendung

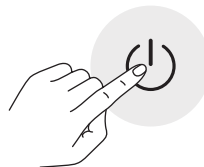
Montage

Richten Sie die Ausrichtungspunkte der Einheit und des Wasserbehälters aus, und montieren Sie die Einheit in der richtigen Position, wie in der Abbildung angezeigt. Schließen Sie das Netzteil an eine Stromquelle an, um das Gerät einschalten zu können.



Ein-/Ausschalten

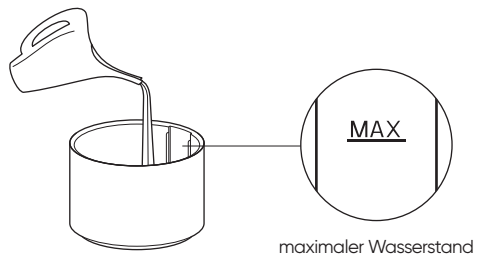
Drücken Sie die Ein-/Aus-Taste auf der Rückseite des Geräts, um es ein- oder auszuschalten



Wasser einfüllen

Es wird empfohlen, gereinigtes Wasser zu verwenden, da es bei der Verwendung anderer Wasserqualitäten leicht zu Ablagerungen kommt.

Füllen Sie Wasser, wie in der rechten Abbildung angezeigt, in den Wasserbehälter, und beenden Sie die Befüllung, bevor Sie den höchsten Wasserstand (maximaler Wasserstand) erreichen.

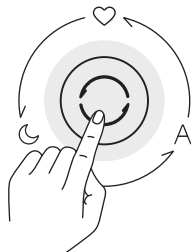


Hinweis: Stellen Sie das Gerät ordnungsgemäß aufrecht auf – nicht verkehrt herum.

Verwendung

Zwischen Modi umschalten

Drücken Sie im eingeschalteten Zustand die Modus-Taste auf der Vorderseite des Geräts, um zwischen den drei Modi nacheinander zu wechseln (Maximal–Automatisch–Stand-by)

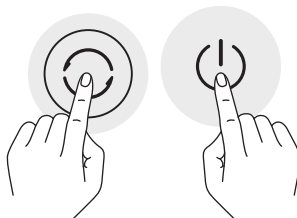
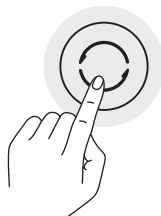


Aktivieren/Deaktivieren des WLANs

Halten Sie die Ein-/Aus-Taste und die Modus-Taste 7 Sekunden lang gedrückt. Der Luftbefeuchter gibt einen Benachrichtigungston aus und das WLAN wird deaktiviert. Halten Sie die Ein-/Aus-Taste und die Modus-Taste 7 Sekunden lang gedrückt. Der Luftbefeuchter gibt ein Benachrichtigungssignal aus und das WLAN wird aktiviert.

WLAN zurücksetzen

Wenn Sie zum ersten Mal eine Verbindung mit der App herstellen oder die Verbindung fehlschlägt, halten Sie die Modus-Taste 7 Sekunden lang gedrückt. Das WLAN-Symbol fängt an zu blinken, und das Gerät gibt einen Signalton von sich, was bedeutet, dass das Gerät bereit ist, eine Verbindung herzustellen, und das WLAN erfolgreich zurückgesetzt wurde.



Verbinden mit der Smartmi Link-APP

Dieses Produkt wurde mit der Smartmi Link-App verbunden und kann über die App gesteuert werden. Scannen Sie den QR-Code oder suchen Sie im App-Store nach „Smartmi Link“, um die App herunterzuladen und zu installieren. Gehen Sie auf die Startseite der App, klicken Sie in der Mitte der Seite auf „+“ und fügen Sie das Gerät nach Aufforderungen der App hinzu.



Hinweis:

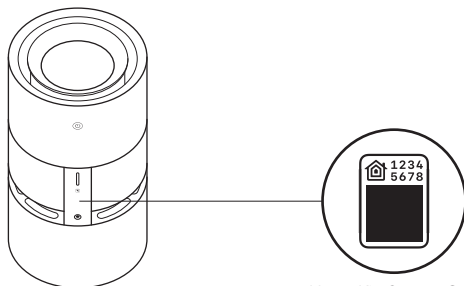
- Bitte stellen Sie sicher, dass das Wi-Fi-Netzwerk sowohl verfügbar ist als auch Internetzugang hat. Platzieren Sie Ihr Mobiltelefon so nah wie möglich an dieses Produkt. (Dieses Produkt unterstützt keine 5G-Netzwerke)
- Dieses Produkt wird als „Smartmi-Luftbefeuchter Rainforest“ in der Geräteliste der App aufgeführt.

Verwendung

Intelligente Steuerung mit Apple HomeKit

- 01 Öffnen Sie die Home-App auf Ihrem iPhone oder iPad.
- 02 Klicken Sie auf „Zubehör hinzufügen“ und scannen Sie dann den HomeKit-Setup-Code auf dem Produktaufkleber (es gibt zwei Aufkleber auf dem Gerät, siehe Abbildung) oder geben Sie den achtstelligen Setup-Code über dem HomeKit-Setup-Code ein. Das Gerät wird dann mit der Apple Home-App verbunden.

Das Gerät kann nach dem Verbinden mit HomeKit mit der Smartmi Link-App verbunden werden. Gehen Sie in der Smartmi Link-App auf die Seite „Persönliche Informationen“. Klicken Sie auf „HomeKit-Informationen“ und verbinden Sie dann das HomeKit-Gerät nach Aufforderungen der App. Mit der Smartmi Link-App verbundene Geräte können auch zu HomeKit hinzugefügt werden. Gehen Sie in der Smartmi Link-App auf die Seite „Gerätesteuerung“. Klicken Sie unter „Einstellungen“ auf „Zu HomeKit hinzufügen“ und verbinden Sie das Gerät nach Aufforderungen der App mit HomeKit.



HomeKit-Setup-Code

* Weitere Anleitungen finden Sie unter: <https://www.smartmiglobal.com/pages/helpcenter>

Hinweis:

- Bitte stellen Sie sicher, dass das Wi-Fi-Netzwerk sowohl verfügbar ist als auch Internetzugang hat. Platzieren Sie Ihr Mobiltelefon so nah wie möglich an dieses Produkt. (Dieses Produkt unterstützt keine 5G-Netzwerke)
- Um dieses mit HomeKit kompatible Zubehör zu steuern, wird empfohlen, iOS 13.0 oder eine neuere Version zu verwenden.
- Bitte bewahren Sie den HomeKit-Setup-Code auf, da Sie nach dem Zurücksetzen auf die Werkseinstellungen den Code erneut scannen müssen, um das Gerät mit HomeKit zu verbinden.
- iPad und iPhone sind Markenzeichen von Apple Inc., die in den USA und anderen Ländern registriert sind.
- Um dieses HomeKit-kompatible Gerät automatisch und außerhalb des Hauses zu steuern, ist es erforderlich, einen HomePod, ein Apple TV oder ein iPad als Home-Hub einzurichten. Es wird empfohlen, auf die neueste Version der Software und des Betriebssystems zu aktualisieren.

Selbstreinigungsmodus

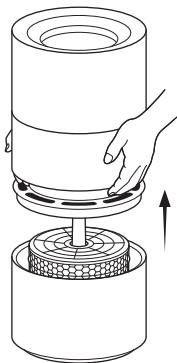
Sie können den Selbstreinigungsmodus in der APP aktivieren oder deaktivieren. Nachdem die Selbstreinigung abgeschlossen ist, gibt das Gerät einen Signalton von sich, und der Bildschirm wird ausgeschaltet und heruntergefahren.

Filterelement austauschen

Warnung: Stellen Sie vor dem Austausch des Filterelements sicher, dass das Gerät ausgeschaltet und das Netzteil von der Stromquelle getrennt wurde.
Hinweis: Um Verletzungen zu verhindern, vermeiden Sie es beim Austauschen des Filterelements, Ihre Finger zwischen die Einheit und den Wasserbehälter zu stecken. Stellen Sie das Gerät ordnungsgemäß aufrecht auf – nicht verkehrt herum

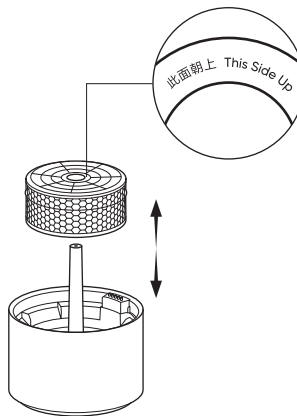
01 Entfernen Sie die Einheit

Entfernen Sie die Einheit, indem Sie sie nach oben ziehen.



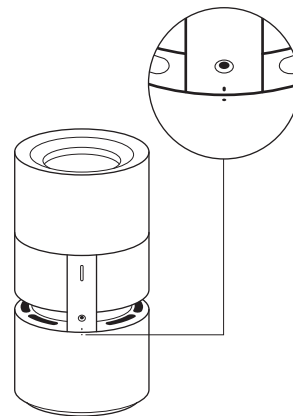
02 Nehmen Sie das alte Filterelement heraus, und setzen Sie das neue Filterelement ein.

Nehmen Sie das alte Filterelement heraus, setzen Sie das neue Filterelement mit der Vorderseite nach oben ein, und montieren Sie die Einheit.



03 Montieren Sie die Einheit

Richten Sie die Ausrichtungspunkte der Einheit und des Wasserbehälters aus, und montieren Sie die Einheit in der richtigen Position.



Wie können Sie Filterelemente kaufen?

Scannen Sie den QR-Code oder besuchen Sie den offiziellen Smartmi-Store unter „<https://smartmiglobal.com/products/smartmi-humidifier-rainforest-filter>“, um weitere Informationen zu erhalten.

Hinweis:

- Es wird empfohlen, das Filterelement nach einem halben bis zu einem Jahr auszutauschen.
- Bitte kaufen Sie originale, kompatible Filterelemente von offiziellen Kanälen.

Wartung und Pflege

Warnung: Stellen Sie sicher, dass der Luftbefeuchter ausgeschaltet und das Netzteil von der Stromquelle getrennt wurde, bevor Sie die folgenden Vorgänge ausführen. Stellen Sie die Einheit während der Reinigung ordnungsgemäß aufrecht auf – nicht verkehrt herum.

Reinigung des Geräts

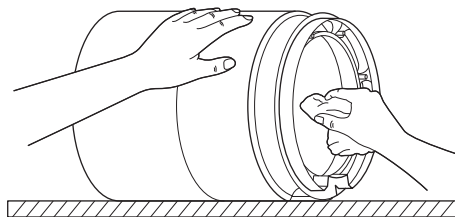
Zur Reinigung und Entfernung von Ablagerungen auf dem Wasserbehälter, dem transparenten Fenster und dem Filterelement kann eine angemessene Menge an Zitronensäure in Lebensmittelqualität als Reinigungsmittel in den Wasserbehälter gegeben werden. In der Regel wird die Verwendung des maximalen Modus für etwa 15 Minuten empfohlen. (Je nach den tatsächlich vorliegenden Bedingungen kann dieser Vorgang verkürzt beziehungsweise verlängert werden.) So kann eine gewünschte Reinigung erzielt werden. Spülen Sie nach Abschluss der Reinigung den Wasserbehälter, den Wassersammler und das Filterelement mit sauberem Wasser aus.

Hinweis:

- Um Beschädigungen am Gerät zu vermeiden, stellen Sie sicher, dass die Wassertemperatur bei der Reinigung nicht höher als 35 °C ist.
- Um Beschädigungen am Gerät zu vermeiden, ist es verboten, stark säurehaltige, alkalische und stark ätzende Reinigungsmittel zu verwenden.

Reinigung des transparenten Fensters

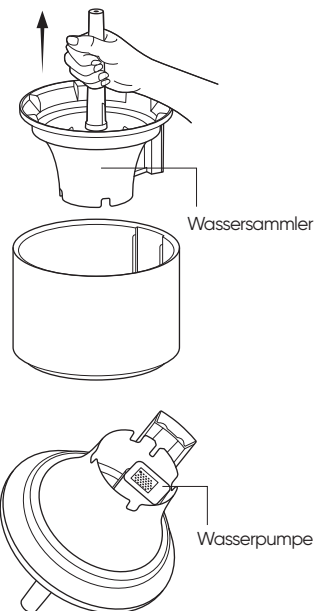
Entfernen Sie die Einheit, und stellen Sie sie auf einen Tisch. Halten Sie das Gerät mit einer Hand fest, und wischen Sie mit der anderen Hand vorsichtig die Innenwand des transparenten Fensters mit einem weichen Tuch ab.



Hinweis: Es ist verboten, die Einheit abzuspülen. Wringen Sie das weiche Tuch vor dem Abwischen gründlich aus, um Beschädigungen am Einheit durch Wassereindringen zu vermeiden.

Reinigung der Wasserpumpe

Nachdem Sie die Einheit und das Filterelement entfernt haben, nehmen Sie den Wassersammler aus dem Wasserbehälter nach oben heraus und drehen ihn um. Reinigen Sie die Wasserpumpe vorsichtig mit einer weichen Bürste.

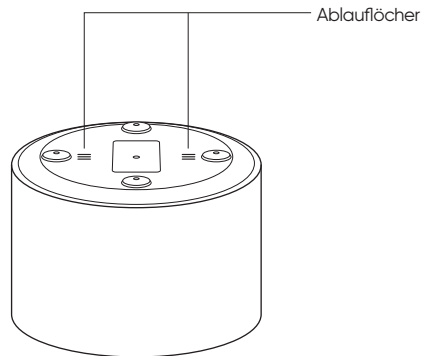
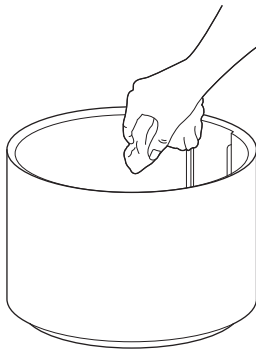


Wartung und Pflege

Reinigung des Wasserbehälters

Um zu verhindern, dass der Wasserbehälter verschmutzt wird und einen unangenehmen Geruch erzeugt, spülen Sie ihn mit sauberem Wasser aus oder wischen ihn mit einem weichen Tuch ab.

Am Boden des Wasserbehälters befinden sich Ablauflöcher. Verwenden Sie den Wasserbehälter nicht sofort wieder, nachdem er vollständig ausgespült wurde oder versehentlich mit zu viel Wasser befüllt wurde, sodass es übergelaufen ist. Stellen Sie stattdessen den Wasserbehälter mit den Ablauflöchern nach unten auf den Boden, um das interne Wasser abzulassen.



Hinweis: Es wird empfohlen, das Gerät einmal pro Woche oder entsprechend der tatsächlichen Nutzungshäufigkeit zu reinigen.

Vorsichtsmaßnahmen

Bewegung

- Schalten Sie den Hauptgerät jedes Mal aus, und trennen Sie jedes Mal die Verbindung zur Netzspannung, bevor Sie ihn bewegen.
- Wenn Sie das Produkt bewegen, entleeren Sie zuerst das im Wasserbehälter verbliebene Restwasser.

Montage

- Befolgen Sie die Anweisungen zur korrekten Montage des Luftbefeuchters, um Stromschläge, Brände, Gesundheitsschäden oder andere Schäden zu verhindern.
- Schalten Sie den Luftbefeuchter nicht ein, bevor er vollständig zusammengebaut ist.

Netzteil

Verwenden Sie das Netzteil gemäß den folgenden Anweisungen, um Stromschläge, Brände oder Beschädigungen zu vermeiden:

- Verbinden Sie das Netzteil mit einer geeigneten Steckdose.
- Das Netzkabel sollte nicht übermäßig eingeklemmt, gebogen oder verdreht werden. Andererseits könnte der innere elektrische Leiter freilegen und brechen.
- Trennen Sie den Luftbefeuchter vor Wartungsarbeiten oder vor der Bewegung von der Stromversorgung.

- Verwenden Sie zur Stromversorgung des Luftbefeuchters das mitgelieferte standardmäßige Netzteil. Wenn das Netzteil oder das Netzkabel beschädigt ist, muss es vom Hersteller oder von einem Fachmann des von ihm beauftragten Reparaturdienstes ersetzt werden, um Gefahren zu vermeiden.

In Betrieb

- Schalten Sie den Luftbefeuchter unverzüglich aus, sollte er ungewöhnliche Geräusche von sich geben, unangenehm riechen oder heiß werden.
- Stecken Sie weder Finger noch Fremdkörper in Sicherheitsbauteile, bewegliche Bauteile, Lufteinlässe oder -auslässe.
- Verhindern Sie, dass Objekte, wie Haare oder Stoffe, in unmittelbare Nähe der Einheit gelangen; diese Objekte können sich gegebenenfalls in den Lufteinlässen und -auslässen verfangen oder diese blockieren.
- Lehnen Sie sich während des Gebrauchs nicht an den Luftbefeuchter oder neigen Sie ihn nicht.
- Stellen Sie eine ausreichende Belüftung sicher, wenn Sie den Luftbefeuchter gleichzeitig mit gasbetriebenen Haushaltsgeräten (z. B. Gasherde und Gas-Warmwasserbereiter) verwenden,

um eine Kohlenstoffmonoxidvergiftung zu verhindern.

- Für diesen Luftbefeuchter wird gereinigtes Wasser empfohlen. Bei Verwendung von Leitungswasser kann es je nach Wasserqualität zu Kalkablagerungen an der Wasserpumpe, dem Filterelement, der Innenwand des Wasserbehälters und dem transparenten Fenster kommen. Wenn die Kalkablagerungen ein bestimmtes Niveau erreichen, beeinträchtigt dies den normalen Betrieb des Luftbefeuchters. Sobald eine solche Situation eintritt, reinigen Sie den Luftbefeuchter gemäß den Anweisungen unter „Wartung und Pflege“.

Warnung

- Gießen Sie niemals heißes Wasser über 35 °C in den Wassertank, um die Maschine nicht zu beschädigen.
- Ziehen Sie den Stecker beim Einfüllen von Wasser sowie Reinigen.
- „MAX“ im Wassertank steht für: den höchsten Wasserstand beim Einfüllen von Wasser.

Grundlegende Parameter

Produktname	Smartmi-Luftbefeuchter Rainforest
Modell	CJJSQ06ZM
Arbeitsprinzip	Verdunstung durch Zerstäubung von Wasser
Abmessungen	Φ 220 × 422mm
Nettogewicht	Ca. 3,3 kg
Netzteileneingang	100-240V~, 50/60Hz, 0.3A
Nennspannung	12V=
Nennleistung	7W
Lautstärke	≤50dB(A)
Nennbefeuchtkapazität	200mL/h
Nennkapazität des Wasserbehälters	3L
Drahtlose Verbindung	Wi-Fi IEEE802.11b/g/n 2.4GHz

Betriebsumgebungstemperatur: 10 ~ 40 °C, Luftfeuchtigkeit: nicht mehr als 80 % relative Luftfeuchtigkeit (bei einer Temperatur von 25 °C)

HF-Spezifikationen:
WLAN 2,4G (2.400-2.483,5 MHz), maximale HF-Ausgangsleistung: <20 dBm

Unter normalen Betriebsbedingungen sollte der Mindestabstand zwischen der Antenne des Geräts und dem Benutzer 20cm betragen.

Hinweise: Die Lautstärke wird im Labor gemessen

Stromadapter

Informationsfreigabe	Wert und Präzision	Einheit
Hersteller	Zhongshan Baolijin Electronic Co.Ltd.	-
Modellbezeichnung	BLJ9W120075P-VA	-
Eingangsspannung	100-240	V~
AC-Eingangsfrequenz	50/60	Hz
Ausgangsspannung	12.0	V=
Ausgangsstrom	0.75	A
Ausgangsleistung	9.0	W
Durchschnittliche aktive Effizienz	83.81	%
Niedriglasteffizienz (10 %)	75.21	%
Leistungsaufwand im Leerlauf	0.072	W

Informationen zur Einhaltung gesetzlicher Vorschriften

EU-Konformitätserklärung

CE Hiermit bestätigt Beijing Smartmi Electronic Technology Co., Ltd., dass das Funkgerät des Typs – Smartmi Humidifier Rainforest, CJSQ06ZM mit der Verordnung 2014/53/EU in Einklang steht. Der vollständige Wortlaut der EU-Konformitätserklärung ist unter der folgenden Internetadresse abrufbar: <http://www.mi.com/global/service/support/declaration.html>.

WEEE-Informationen zur Entsorgung und zum Recycling



Alle mit diesem Symbol gekennzeichneten Produkte sind Elektroschrott und Elektrogeräte (WEEE entsprechend EU-Richtlinie 2012/19/EU) und dürfen nicht mit unsortiertem Haushaltsmüll vermischt werden. Schützen Sie stattdessen Ihre Mitmenschen und die Umwelt, indem Sie Ihre zu entsorgenden Geräte an eine dafür vorgesehene, von der Regierung oder einer lokalen Behörde eingerichtete Sammelstelle zum Recycling von Elektroschrott und Elektrogeräten bringen. Eine ordnungsgemäße Entsorgung und Recycling helfen, negative Auswirkungen auf die Gesundheit von Umwelt und Menschen zu vermeiden. Wenden Sie sich bitte an den Installateur oder lokale Behörden, um Informationen zum Standort und den allgemeinen Geschäftsbedingungen solcher Sammelstellen zu erhalten.

Предупреждение

- Этот прибор не должны использовать лица (взрослые или дети) с ограниченными физическими, сенсорными или умственными способностями и лица, не обладающие соответствующим опытом и знаниями, если они не находятся под присмотром или руководством человека, ответственного за их безопасность.
- Дети не должны играть с устройством.
- Не разрешайте детям чистить устройство и выполнять другие мероприятия по уходу за ним без присмотра взрослых.
- Храните прибор в недоступном для детей месте. Пар и кипящая вода могут стать причиной ожогов.
- Имейте в виду, что высокий уровень влажности может способствовать росту биологических организмов в окружающей среде.
- Не допускайте, чтобы область вокруг увлажнителя становилась сырой или влажной. При появлении признаков сырости уменьшите объем подачи пара. Если объем подачи пара уменьшить невозможно, используйте увлажнитель с перерывами. Не допускайте отсыревания впитывающих влагу материалов, таких как ковровые покрытия, шторы, портьеры или скатерти.

- Отключайте прибор от сети во время его наполнения и очистки.
 - Никогда не оставляйте воду в резервуаре, если прибор не используется.
 - Опорожните и очистите увлажнитель перед хранением. Очистите увлажнитель перед следующим использованием.
- Во избежание поражения электрическим током, пожара, получения травм и других повреждений не используйте увлажнитель воздуха в следующих случаях:
- основной корпус увлажнителя наклонен. Наклон корпуса увлажнителя может привести к неправильному отображению уровня воды и переливанию ее через край. Во время использования увлажнитель следует устанавливать на ровную и устойчивую поверхность;
 - рядом с увлажнителем находятся неустойчивые предметы или предметы, которые могут упасть;
 - в жарких или влажных помещениях, таких как ванные комнаты.
- Включите увлажнитель при помощи стандартного переходника, входящего в комплект поставки. Из соображений безопасности поврежденные переходники или шнуры питания должны быть

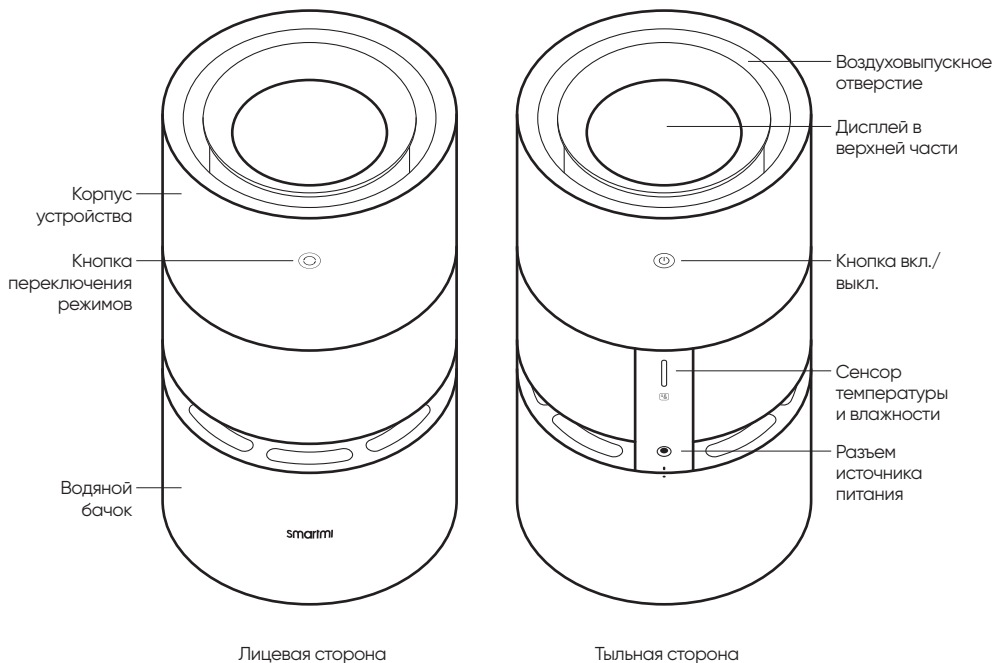
заменены производителем или специалистом соответствующего поставщика ремонтных услуг.

- Для использования только с зарядным устройством BLJ9W120075P-VA от Zhongshan Baolijin Electronic Co., Ltd.
- В случае самостоятельной разборки прибора с иной целью, кроме проведения технического обслуживания, а также в случае возникновения вопросов по ремонту продукта следует связаться с отделом технической поддержки Smartmi.

Описание продукта

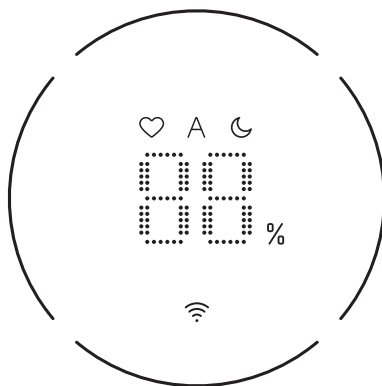
Упаковочный лист: корпус устройства, водяной бачок, адаптер, руководство по эксплуатации

Перед использованием внимательно прочтите это руководство и сохраните его для справки



Примечание: в настоящем руководстве изображения изделия и его аксессуаров, а также пользовательского интерфейса являются только схематическими и служат для справки. Фактическое изделие может отличаться от изображений из-за обновлений и усовершенствований изделия. См. фактическое изделие.

Данные дисплея



Индикатор влажности
окружающего воздуха



Световой индикатор
Wi-Fi



Режим функционирования положения передачи:

- Максимальная передача:** рабочее состояние положения передачи при максимальном увлажнении
- Автоматически:** автоматический выбор скорости вращения в зависимости от текущей степени влажности.
- Спящий режим:** рабочее состояние со сверхнизкими шумовыми помехами



Кольцо индикатора уровня воды

При нехватке воды

- При обнаружении устройством нехватки воды (уровень воды в водяном бачке <15%) кольца индикатора уровня воды замигают красным цветом.

Отображение уровня воды в режиме реального времени

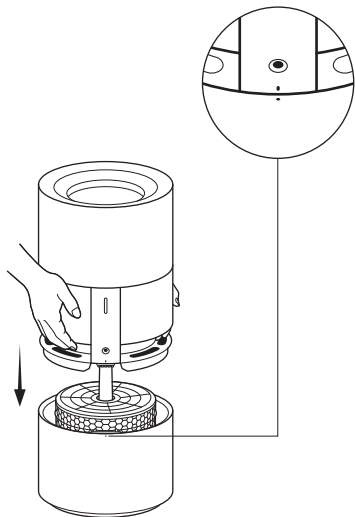
Отображение данных о состоянии увлажнения устройства в интерфейсе может осуществляться в режиме реального времени с помощью кольца индикатора.

- 15%-25%
- 25%-50%
- 50%-75%
- 75%-100%

Использование

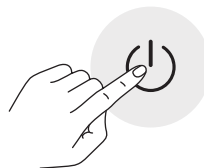
Установка

Совместите точки выравнивания корпуса устройства и водяного бачка, как показано на рисунке, установите корпус устройства в положении входа. Подключите к источнику питания, включите питание.



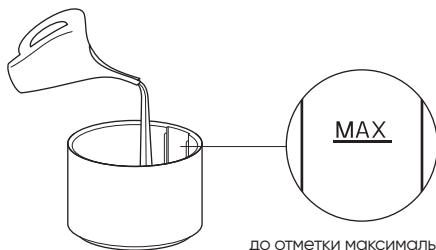
Вкл./Выкл.

Нажатие кнопки вкл./выкл. на задней стороне главного устройства включает и выключает устройство.



Заливка воды

Рекомендуется использование очищенной воды, использование воды с другими физическими свойствами приводит к образованию накипи. Как показано на рисунке справа, отдельно налейте воду в водяной бачок, прекратите наполнение водой при достижении максимального уровня воды (до отметки максимального уровня воды).



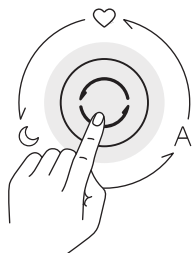
до отметки максимального
уровня воды

Указание: пожалуйста, не переворачивайте корпус устройства.

Использование

Переключение режимов положения передачи

Во включенном состоянии устройства для последовательного переключения трех положений передачи (максимальная передача – автоматический режим – спящий режим) нажимайте кнопку переключения режимов на лицевой стороне главного устройства.

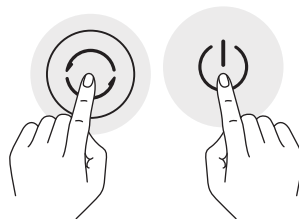
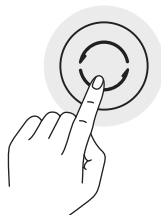


Включение/Выключение соединения Wi-Fi

Нажмите и удерживайте кнопку питания и кнопку режима в течение 7 секунд, увлажнителя издаст звуковой сигнал, и Wi-Fi будет отключен. Нажмите и удерживайте кнопку питания и кнопку режима в течение 7 секунд, увлажнителя издаст звуковой сигнал, и Wi-Fi будет включен.

Сброс настроек Wi-Fi

При первом соединении или при невозможности подсоединения к приложению, зажмите «кнопку переключения режимов» и удерживайте ее в нажатом состоянии 7 секунд, значок Wi-Fi замигает, главное устройство издаст звуковой сигнал и войдет в состояние ожидания соединения, тогда сброс Wi-Fi успешно выполнен.



Подключение к Smartmi Link APP

Данный продукт уже подключен к приложению Smartmi Link APP. Им можно управлять с помощью приложения Smartmi Link APP. Отсканируйте QR-код или найдите приложение Smartmi Link в магазине приложений, загрузите и установите Smartmi Link APP. Откройте домашнюю страницу Smartmi Link APP и нажмите «+» в строке, чтобы в соответствии с подсказками в приложении добавить устройства.



Внимание:

- Убедитесь в доступности сети Wi-Fi и возможности нормального доступа в интернет. По возможности старайтесь, чтобы мобильный телефон располагался как можно ближе к данному продукту (данный продукт не поддерживает сеть стандарта 5G).
- В списке устройств APP данный продукт называется «Увлажнитель Smartmi Rainforest»

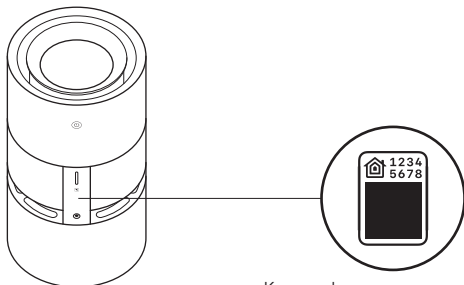
Использование

Интеллектуальное управление Apple HomeKit

01 Откройте домашнее приложение в iPhone или iPad;

02 Чтобы подключиться к домашнему приложению Apple APP, нажмите «Добавить аксессуар», после чего согласно подсказкам в приложении отсканируйте расположенный на наклейке на продукте HomeKit setup code (располагается в двух местах на корпусе, подробное описание приводится на схеме), или введите 8-значный код установки, расположенный над HomeKit setup code.

После подключения этого продукта к устройству из HomeKit его можно привязать к приложению Smartmi Link APP. Для этого нужно открыть страницу личных данных Smartmi Link APP, нажать на расположенную на странице кнопку «Информация о HomeKit» и согласно подсказкам в приложении подключиться к устройству HomeKit; Кроме этого, устройства, подключенные к Smartmi Link APP, также можно добавлять в HomeKit. Для этого нужно открыть страницу управления устройствами Smartmi Link APP, в разделе настроек нажать на кнопку «Добавить в HomeKit» и согласно подсказкам в приложении подключиться к HomeKit.



Код конфигурации сети HomeKit

* Более подробную инструкцию см. на сайте: <https://www.smartmiglobal.com/pages/helpcenter>

Режим самоочистки

Режим самоочистки может включаться или выключаться через приложение, после завершения самоочистки устройство издаст сигнал, экран потухнет, устройство выключится.

Внимание:

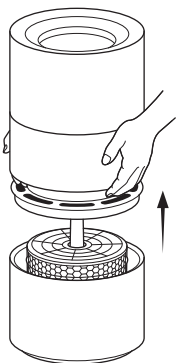
- Убедитесь в доступности сети Wi-Fi и возможности нормального доступа в интернет. По возможности старайтесь, чтобы мобильный телефон располагался, как можно ближе к данному продукту (данный продукт не поддерживает сеть стандарта 5G);
- Для управления этим аксессуаром, совместимым с HomeKit, рекомендуется использовать версию iOS 13.0 или выше;
- Не теряйте код конфигурации сети HomeKit! После восстановления заводских настроек для подключения к HomeKit потребуется снова отсканировать HomeKit setup code; Компания Apple является владельцем товарных знаков iPad и iPhone, которые зарегистрированы в США и других странах. Чтобы получить возможность автоматически управлять этим аксессуаром с поддержкой HomeKit и использовать его вне дома, нужно настроить HomePod, Apple TV или iPad в качестве домашнего центра. Также рекомендуется обновить программное обеспечение и операционную систему до последней версии.

Замена фильтрующего элемента

Предупреждение: перед заменой фильтрующего элемента убедитесь, что устройство выключено, и адаптер питания вытаскен. Внимание: в целях избежания травм при замене фильтрующего элемента, пожалуйста, не просовывайте пальцы между корпусом устройства и водяным бачком. Пожалуйста, не переворачивайте корпус устройства.

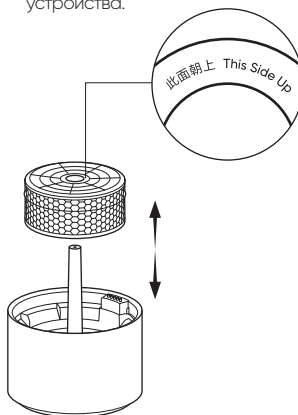
01 Снимите корпус устройства.

Снимите корпус устройства движением вверх.



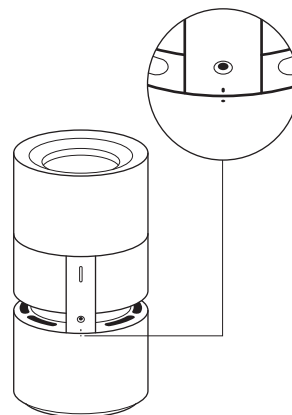
02 Извлеките старый фильтрующий элемент, установите новый фильтрующий элемент.

Извлеките старый фильтрующий элемент, установите новый фильтрующий элемент, повернув его лицевой стороной вверх, установите корпус устройства.



03 Установка корпуса устройства

Совместите точки выравнивания корпуса устройства и водяного бачка, верните на место корпус устройства.



Как приобрести фильтрующий элемент

Для получения более подробной информации отсканируйте QR-код или обратитесь в официальный магазин Smartmi по ссылке <https://smartmiglobal.com/products/smartmi-humidifier-rainforest-filter>

Указание:

- Фильтрующий элемент рекомендуется менять один раз в полгода-год.
- Пожалуйста, приобретайте оригинальные фильтрующие элементы через официальную сеть.

Обслуживание и уход

Предупреждение: до осуществления нижеперечисленных действий необходимо обязательно выключить увлажнитель и вытащить адаптер питания. Пожалуйста, не переворачивайте корпус устройства при промывке.

Очистка устройства в сборе

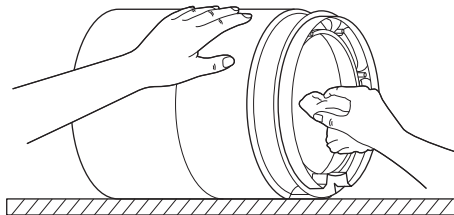
Для удаления осадка, образующегося в водяном бачке, на прозрачном смотровом окошке и фильтрующем элементе, в водяной бачок можно добавить соответствующее количество моющего средства с содержанием пригодной в пищу лимонной кислоты, при промывке в течение примерно 15 минут (в зависимости от фактического результата промывки) на максимальном положении передачи можно добиться достаточно хорошего результата. После осуществления промывки ополосните чистой водой водяной бачок, накопитель воды и фильтрующий элемент.

Внимание:

- В процессе промывки увлажнителя необходимо убедиться, что температура воды не превышает 35°C, во избежание поломки устройства из-за слишком горячей воды.
- В процессе промывки увлажнителя во избежание поломки устройства запрещается добавление моющих средств со сильными кислотами, сильными щелочами или других едких моющих средств.

Очистка прозрачного смотрового окошка

Снимите корпус устройства и разместите его на горизонтальной поверхности стола. Одной рукой крепко держите устройство, а второй рукой легонько протрите мягкой тканью внутренние стенки прозрачного смотрового окошка.



Внимание: запрещается промывать корпус устройства, пожалуйста, перед протиранием отожмите досуха мягкую ткань, во избежание поломки устройства из-за попадания воды.

Очистка водяного насоса

После снятия корпуса устройства и фильтрующего элемента извлеките движением вверх расположенный в водяном бачке накопитель воды и переверните его, мягкой щеткой протрите легонько водяной насос.



Накопитель воды

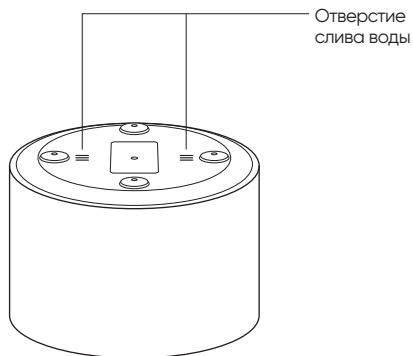
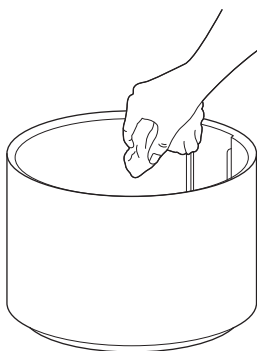
Водяной насос

Обслуживание и уход

Очистка водяного бачка

Для предотвращения появления посторонних запахов из-за загрязнения водяного бачка и для поддержания чистоты водяного бачка можно промывать бачок чистой водой или протирать его мягкой тканью.

В нижней части бачка располагается отверстие для слива воды, после промывания всей конструкции бачка или в случае выливания воды через край бачка в результате неосторожной заливки воды не следует сразу же использовать прибор, необходимо поставить водяной бачок на пол сливным отверстием вниз, чтобы полностью удалить из него скопившуюся воду.



Внимание: чистку водяного бачка рекомендуется производить один раз в неделю либо в зависимости от фактической частоты использования продукта.

Особые замечания

Транспортировка

- Перед перемещением выключите устройство и выньте штепсель из розетки.
- Перед началом транспортировки или перемещения продукта следует полностью слить воду из водяного бачка.

Установка

- Установка данного продукта должна производиться надлежащим образом в соответствии с требованиями руководства по использованию, в противном случае это может привести к поражению электрическим током, возникновению пожара, причинению вреда жизни и здоровью и возникновению иного ущерба.
- Не следует подключать продукт к источнику питания, пока не будет полностью завершена его установка.

Адаптер

Во избежание возникновения пожара, поражения током или повреждения продукта при использовании адаптера необходимо соблюдать следующие указания:

- Вставлять адаптер разрешается только в розетки источника питания, соответствующие параметрам штепселя адаптера.
- Не следует чрезмерно перекручивать, изгибать или выворачивать кабель адаптера, так как это может привести к повреждению изоляции и обнажению жил кабеля или их разрыву.
- Перед выполнением работ по техническому обслуживанию или перемещением увлажнителя необходимо отсоединить прибор от

источника питания.

- Для подачи питания на увлажнитель следует использовать адаптер питания, поставляемый в комплекте с продуктом, в случае повреждения адаптера или кабеля питания, чтобы предотвратить возникновение рисков, для их замены необходимо привлечь специалистов производителя или уполномоченного им отдела технического обслуживания.

В процессе использования

- В случае возникновения нехарактерных звуков, нехарактерного запаха, признаков нагрева и других отклонений в работе продукта следует незамедлительно прекратить его использование.
- Не разрешается трогать пальцами или класть посторонние предметы на элементы защиты, подвижные части, воздухозаборник и воздуховыпускное отверстие продукта.
- Не следует располагать волосы и класть текстильные материалы рядом с главным устройством во избежание их втягивания или засорения ими воздухозаборника и воздуховыпускного отверстия.
- Не следует опираться на прибор и не следует наклонять прибор во время его работы.
- При использовании вместе с газовым оборудованием (например, газовыми печами или водонагревателями) обеспечьте достаточную вентиляцию, чтобы избежать отравления угарным газом.
- Для данного устройства рекомендуется использование очищенной воды. При использовании водопроводной воды, в зависимости от различных физических

свойств воды, может привести к скоплению накипи на водяном насосе, фильтрующем элементе, внутренних стенках водяного бачка и прозрачном смотровом окошке. Скопление определенного количества накипи может негативно влиять на нормальную работу увлажнителя. Как только будет обнаружено возникновение такой ситуации, пожалуйста, осуществите очистку согласно методам, описанным в главе «Обслуживание и уход».

Хранение и транспортировка

- Перед длительным хранением убедитесь в том, что бак для воды и испарительный резервуар увлажнителя воздуха полностью сухие, после этого поставьте увлажнитель воздуха в собранном виде на хранение в сухое прохладное место.
- Устройство следует размещать вдали от источников тепла и вне зоны попадания прямых солнечных лучей.
- Не транспортируйте при экстремальных температурах.

Предупреждение

- Во избежание поломки ни в коем случае нельзя наливать в бачок горячую воду температурой более 35°C.
- При наполнении водой и очистке выньте вилку электропитания.
- Отметка "MAX" означает линия максимального уровня воды при наполнении водой.

Основные параметры

Название	Увлажнитель Smartmi Rainforest
Модель продукта	CJJSQ06ZM
Принцип работы	Проточное оросительное испарение
Размеры	Ф 220 × 422mm
Вес нетто	Около 3,3 кг
Номинальный вход адаптера	100-240V~, 50/60Hz, 0.3A
Номинальное напряжение	12V ~
Номинальная мощность	7W
Шумность	≤50дБ(А)
Номинальный объем увлажнения	200mL/h
Номинальная емкость водяного бачка	3L
Беспроводное подключение	Wi-Fi IEEE802.11b/g/n 2.4GHz
Температура эксплуатационной среды: 10-40 °C; влажность: относительная влажность не более 80% (при температуре 25 °C)	

Радиочастотные характеристики:

Wi-Fi 2,4 ГГц (2400–2483,5 МГц), макс. выходная радиочастотная мощность: <20 дБм

В нормальных условиях использования это устройство должно располагаться так, чтобы между антенной и пользователем сохранялось расстояние не менее 20 см.

Примечание:

- значение шумности представляет собой данные измерений в условиях лабораторной среды
- Дата изготовления указана на оборудовании.

Зарядное устройство

Информация опубликована	Значение и точность	Ед. изм.
Производитель	Zhongshan Baolijin Electronic Co.Ltd.	-
Идентификатор модели	BLJ9W120075P-VA	-
Входное напряжение	100-240	V~
Входная частота переменного тока	50/60	Hz
Выходное напряжение	12.0	V~
Выходной ток	0.75	A
Выходная мощность	9.0	W
Средняя активная эффективность	83.81	%
Эффективность при низкой нагрузке (10%)	75.21	%
Потребляемая мощность без нагрузки	0.072	W

Информация о соответствии требованиям

Декларация о соответствии нормативным требованиям ЕС

CE Настоящим компания Beijing Smartmi Electronic Technology Co., Ltd. заявляет, что тип радиооборудования - Увлажнитель Smartmi Rainforest, CJSQ06ZM соответствует требованиям Директивы 2014/53/EU. Полный текст декларации о соответствии нормативным требованиям ЕС доступен по следующему адресу: <http://www.mi.com/global/service/support/declaration.html>

Информация об утилизации и переработке отходов электрического и электронного оборудования



Все изделия, обозначенные символом раздельного сбора отработанного электрического и электронного оборудования (WEEE, директива 2012/19/EU), следует утилизировать отдельно от несортируемых бытовых отходов. С целью охраны здоровья и защиты окружающей среды такое оборудование необходимо сдавать на переработку в специальные пункты приема электрического и электронного оборудования, определенные правительством или местными органами власти. Правильная утилизация и переработка помогут предотвратить возможные негативные последствия для окружающей среды и здоровья человека. Чтобы узнать, где находятся такие пункты сбора и как они работают, обратитесь в компанию, занимающуюся установкой оборудования, или в местные органы власти.



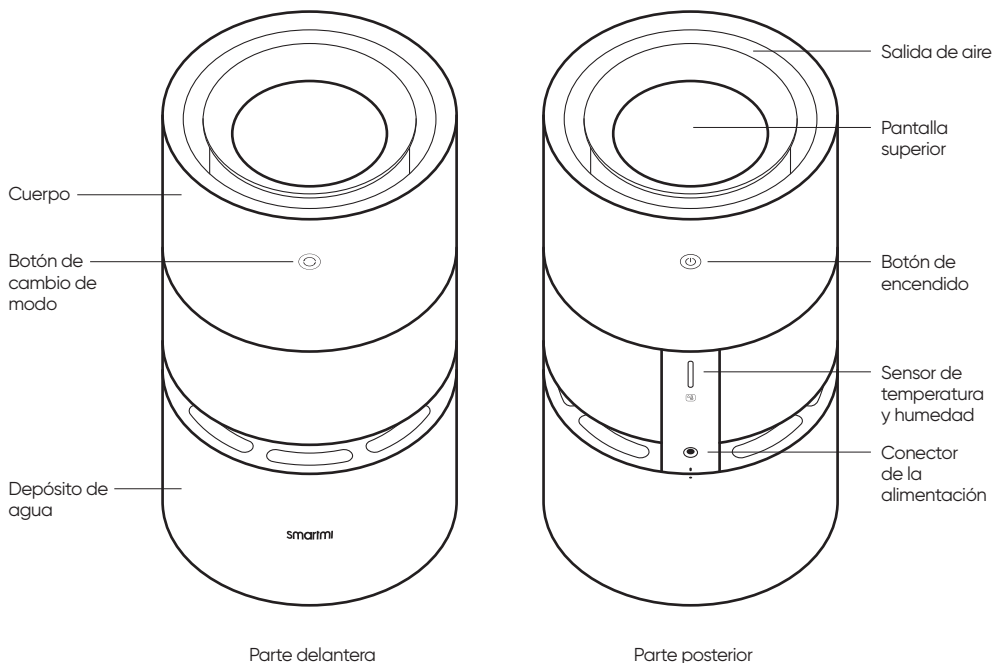
Advertencia

- Este dispositivo no está diseñado para personas (incluidos niños) con capacidades físicas, sensoriales o mentales reducidas, o con falta de experiencia y conocimientos, a menos que estén bajo supervisión o que la persona responsable de su seguridad les haya proporcionado instrucciones sobre el uso del producto.
- Los niños no deben jugar con el aparato.
- La limpieza y el mantenimiento por parte del usuario no deben realizarse por niños sin supervisión de un adulto.
- Mantenga el dispositivo fuera del alcance de los niños. El vapor y el agua hirviendo pueden causar quemaduras.
- Tenga en cuenta que una humedad alta puede favorecer el crecimiento de organismos biológicos en el entorno.
- No deje que la zona alrededor del humidificador quede húmeda o mojada. Si esto ocurre, disminuya el flujo de salida del humidificador. Si esto no fuera posible, use el humidificador de manera intermitente. No permita que materiales absorbentes como alfombras, cortinas, cobertores o manteles queden húmedos.
- Desenchufe el aparato mientras lo limpia o lo llena.
- No deje nunca agua en el depósito cuando no esté utilizando el aparato.

- Vacíe y limpie el humidificador antes de guardarlo. Límpielo también antes de volver a usarlo.
- Para evitar descargas eléctricas, incendios, lesiones personales y otros daños, no use el humidificador cuando:
 - El cuerpo principal del humidificador esté inclinado. Esto podría hacer que el nivel de agua se notificara de forma incorrecta o que el agua rebosara. El humidificador se debe colocar sobre una superficie plana y nivelada para su uso.
 - Haya objetos cercanos que puedan caer o sean inestables.
 - En lugares cálidos, húmedos o mojados, como cuartos de baño.
- Enchufe el humidificador con el adaptador estándar que se suministra. Por motivos de seguridad es necesario sustituir los adaptadores o los cables de alimentación dañados y esto lo deberá hacer el fabricante o un profesional de un servicio de reparación designado.
- Solo se puede usar con el cargador BLJ9W120075P-VA de Zhongshan Baolijin Electronic Co.,Ltd.
- Excepto por motivos de mantenimiento, si se desmonta el producto sin permiso, póngase en contacto con el servicio de atención al cliente de Smartmi y haga una consulta sobre la reparación.

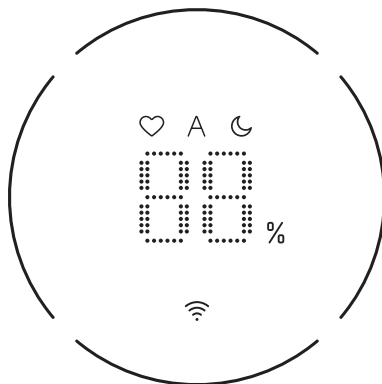
Descripción General del Producto

Contenido del envase: cuerpo, depósito de agua, adaptador y manual de instrucciones



Nota: En este manual, las ilustraciones del producto y sus accesorios y la interfaz de usuario son diagramas esquemáticos sólo como referencia. El producto real podría sufrir cambios con respecto a lo mostrado en los diagramas debido a las mejoras y actualizaciones del producto-Consulte el producto real.

Descripción de la pantalla



Visualización de la humedad del aire ambiente



Modo de funcionamiento

- Máximo:** estado de funcionamiento para proporcionar una humidificación máxima
- Automático:** la velocidad se selecciona de forma automática según la humedad actual y la humedad que se desea conseguir y que ha establecido la aplicación
- Dormir:** estado de funcionamiento con ruido ultrabajo



Luz indicadora de Wi-Fi



Anillo indicador del nivel de agua

Nivel bajo de agua

- Cuando la máquina detecta un nivel bajo de agua (<15%), el anillo indicador del nivel de agua se ilumina de color rojo.

Visualización en tiempo real del nivel de agua

Cuando la máquina está en funcionamiento, el estado del nivel de agua se puede visualizar en tiempo real mediante el anillo de luz.



15%-25%



25%-50%



50%-75%

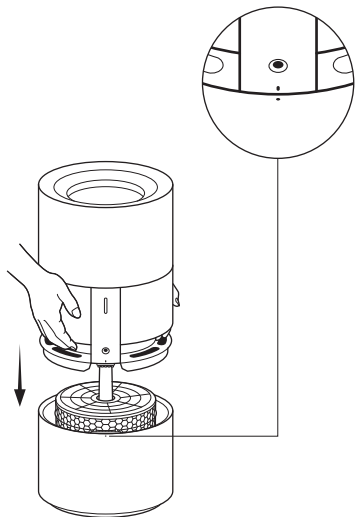


75%-100%

Uso

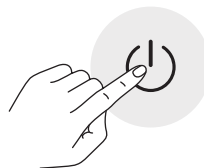
Instalación

Alinee los puntos del cuerpo y el depósito de agua como se indica en la imagen, e instale el cuerpo en el lugar correspondiente. Enchufe el adaptador de corriente y encienda la alimentación.



Encendido o apagado de la máquina

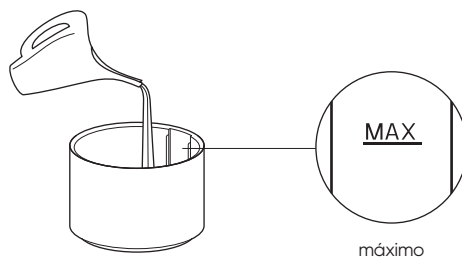
Pulse el botón de encendido o apagado de la parte posterior para encender o apagar la máquina



Adición de agua

Se recomienda usar agua destilada, ya que de lo contrario se podrían producir incrustaciones.

Como se indica en la imagen derecha, se puede llenar el depósito por separado hasta que se alcance el nivel más alto de agua (máximo).



Nota: No ponga el cuerpo boca abajo.

Uso

Vinculación del dispositivo a Smartmi Link

Este producto es compatible con Smartmi Link y se puede controlar mediante la app.

Escanea el código QR o busca "Smartmi Link" en la app store para descargar e instalar la app. Dirígete a la página de inicio de la app, pincha en "+" en el medio de la página y luego agrega el dispositivo cuando se te solicite.



Nota:

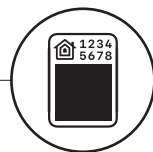
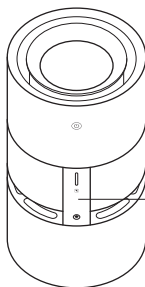
- Asegúrate de que tu red Wi-Fi esté disponible y tiene acceso a Internet. Coloca tu dispositivo móvil lo más cerca posible de este producto. (Este producto no es compatible con redes 5G)
- Este producto aparecerá como "Humidificador de selva tropical Smartmi" en la lista de dispositivos de la app.

* Si necesita instrucciones más detalladas, visite: <https://www.smartmiglobal.com/pages/helpcenter>

Control inteligente con Apple Homekit

- 01 Abre la app Home en tu iPhone / iPad.
- 02 Presiona "Agregar accesorio" y luego escanea el código de configuración de HomeKit en la etiqueta del producto (hay dos etiquetas en la base del producto, observa la ilustración), o ingresa el código de configuración de ocho dígitos sobre el código de configuración de HomeKit. El dispositivo se vinculará a la aplicación Apple Home.

El dispositivo se puede vincular a Smartmi Link después de vincularlo a HomeKit. Dirígete a la página de información personal en Smartmi Link. Toca "Información de HomeKit" y luego vincula el dispositivo HomeKit como se te solicite. Los dispositivos vinculados a Smartmi Link también se pueden agregar a HomeKit. Dirígete a la página de control de dispositivos en Smartmi Link. Presiona "Agregar a HomeKit" en "Configuración" y luego vincula el dispositivo a HomeKit como se te solicite.



Código de configuración de Homekit

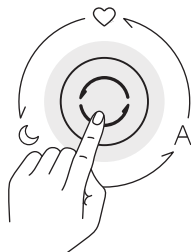
Nota:

- Asegúrate de que tu red Wi-Fi esté disponible y tengas acceso a Internet. Coloca tu dispositivo móvil lo más cerca posible de este producto. (Este producto no es compatible con redes 5G).
- Para controlar este accesorio compatible con HomeKit, se recomienda utilizar iOS 13.0 o una versión posterior.
- Conserva el código de HomeKit, ya que necesitarás repetir el proceso de vinculación después de un restablecimiento de fábrica.
- iPad y iPhone son marcas comerciales de Apple Inc., registradas en EE. UU. y otros países.
- Controlar este producto habilitado para HomeKit automáticamente y fuera de casa requiere un HomePod, Apple TV o iPad configurado como un centro doméstico. Se recomienda actualizar al sistema operativo más reciente.

Uso

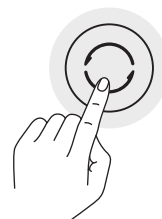
Cambio del modo de funcionamiento

Con la máquina encendida, pulse el botón de cambio de modo en la parte delantera para recorrer las 3 opciones (Máximo-Automático-Dormir)



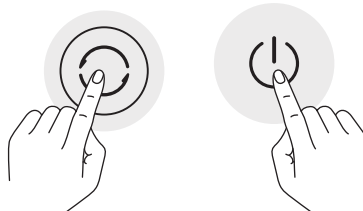
Reinicio de Wi-Fi

Cuando se conecta a la aplicación por la primera vez o cuando no se puede conectar, mantenga pulsado el botón de cambio de modo durante 7 segundos; el icono de Wi-Fi se encenderá, el cuerpo emitirá un pitido y entrará en el estado de espera de conexión. Así se reinicia la Wi-Fi.



Activación/desactivación del Wi-Fi

Mantenga pulsados el botón de encendido y el botón de modo durante 7 segundos. El humidificador emitirá un sonido de notificación y el Wi-Fi se desactivará. Mantenga pulsados el botón de encendido y el botón de modo durante 7 segundos. El humidificador emitirá un sonido de notificación y el Wi-Fi se activará.



Modo autolimpieza

Se puede activar o desactivar el modo autolimpieza en la aplicación. Una vez terminada la autolimpieza, el host emitirá un sonido de notificación y se apagarán la pantalla y la máquina.

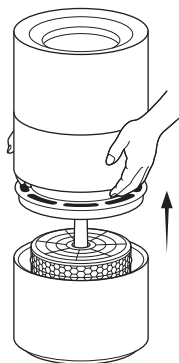
Cambio del filtro

Aviso: Antes de cambiar el filtro, asegúrese de que la alimentación esté apagada.

Nota: Para evitar lesiones, al cambiar el filtro, no ponga los dedos entre el cuerpo y el depósito. No ponga el cuerpo boca abajo.

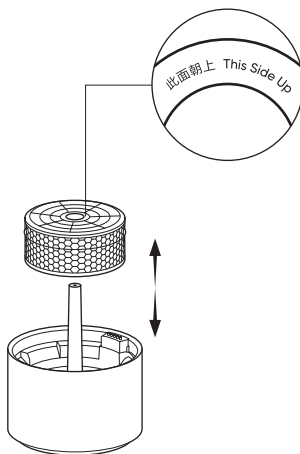
01 Retire el cuerpo

Retire el cuerpo hacia arriba.



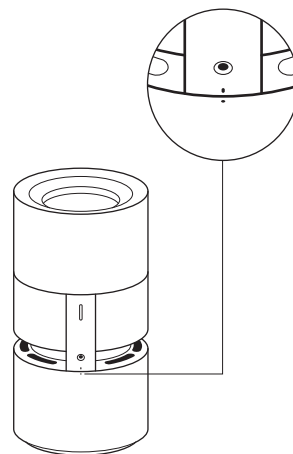
02 Saque el filtro viejo e instale el nuevo

Saque el filtro viejo, coloque el nuevo orientado hacia arriba e instálelo en el cuerpo



03 Instale el cuerpo

Alinee los puntos del cuerpo y el depósito de agua para volver a instalar el cuerpo



Cómo comprar filtros

Escanee el código QR o visite el sitio web oficial <https://smartmiglobal.com/products/smartmi-humidifier-rainforest-filter> para obtener más información.

Nota:

- Se recomienda reemplazar filtro cada seis meses o cada año.
- Compre filtros originales a través de los canales oficiales.

Mantenimiento y cuidado

Aviso: Asegúrese de cerrar la máquina y quitar el adaptador antes de seguir los pasos que se indican a continuación. No ponga el cuerpo boca abajo al limpiarlo.

Limpie toda la máquina

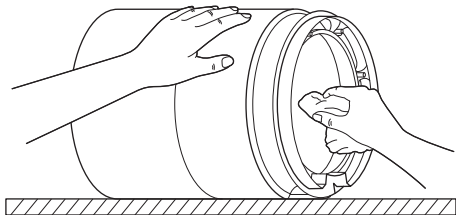
Para limpiar el sedimento en el depósito de agua, la ventana transparente y el filtro, puede añadir una cantidad adecuada de agente de limpieza a base de ácido cítrico alimenticio en el depósito. Use el modo de funcionamiento máximo para limpiar durante 15 minutos (depende del estado real de limpieza) y obtener el mejor efecto. Después de la limpieza, el depósito, el colector y el filtro deben enjuagarse con agua limpia.

Nota:

- Durante el proceso de limpieza, la temperatura del agua no debe superar los 35 °C para evitar dañar la máquina por una temperatura excesiva.
- Además, está prohibido añadir un ácido fuerte, una base fuerte o un agente de limpieza corrosivo para evitar dañar la máquina.

Limpiar la ventana transparente

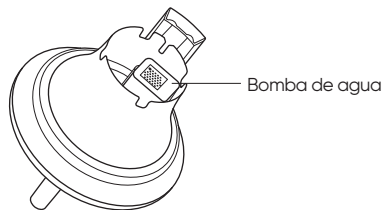
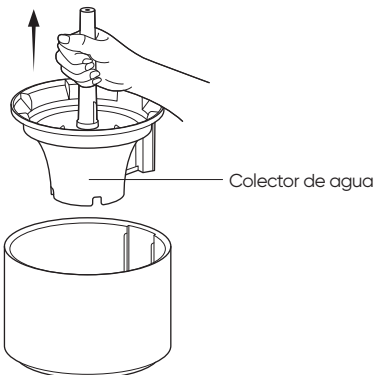
Retire el cuerpo y colóquelo sobre la mesa, sostenga la máquina con una mano y limpie con suavidad la pared interior de la ventana con un paño.



Nota: Se prohíbe lavar el cuerpo; seque el paño antes de limpiar la ventana para evitar daños por entrada de agua a la máquina.

Limpiar la bomba de agua

Después de retirar el cuerpo y el filtro, saque el colector en el tanque de agua hacia arriba y gírelo. Cepille con suavidad la bomba de agua.

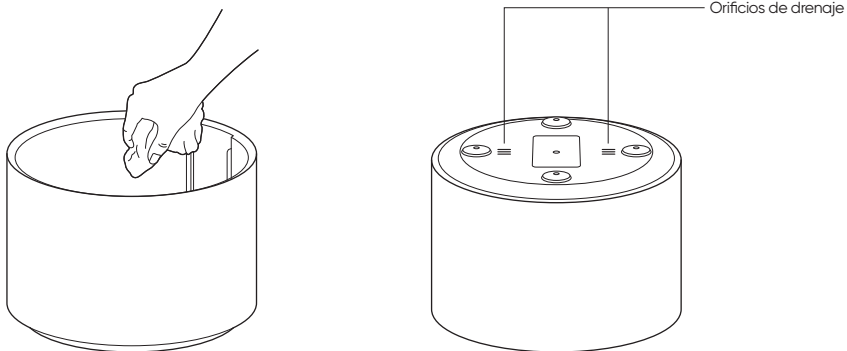


Mantenimiento y cuidado

Limpiar el depósito de agua

Para evitar los malos olores por la contaminación del depósito, se puede enjuagar con agua limpia o limpiar con un paño suave para mantener limpio el depósito.

La parte inferior del tanque presenta unos orificios de drenaje, después de limpiar por completo el tanque o si hay un exceso de agua, no lo utilice de inmediato, coloque el tanque en el suelo con los orificios hacia abajo para drenar el agua de su interior.



Nota: Se recomienda limpiarlo una vez a la semana o según la frecuencia real de uso.

Precauciones

Transporte

- Cuando mueva la máquina, asegúrese de parar la unidad principal y desconecte la alimentación.
- Cuando transporte el producto, primero vacíe el agua restante en el depósito.

Instalación

- Asegúrese de instalar el producto según las instrucciones. De lo contrario, se pueden producir descargas eléctricas, incendios, lesiones personales y otros daños.
- No conecte la alimentación antes de finalizar el montaje del producto.

Adaptador

Use el adaptador según instrucciones siguientes para evitar incendios, descargas eléctricas o daños:

- Conecte a un enchufe de alimentación adecuado.
- No pellizque, doble ni retuerza el cable del adaptador, de lo contrario, los núcleos pueden quedar expuestos o rotos.
- Antes del mantenimiento o de mover el humidificador, debe desconectar la alimentación.
- Utilice el adaptador de alimentación original para suministrar energía al humidificador. Si el adaptador o el cable está dañado, para evitar peligros,

pida a un profesional del fabricante o al departamento de mantenimiento designado por el fabricante que lo sustituyan.

Durante el uso

- Si se produce algún ruido, olor anómalo o alta temperatura durante el uso, detenga la máquina de inmediato.
- No ponga los dedos ni objetos extraños en los protectores, piezas móviles, entradas y salidas de aire.
- No acerque cabellos, telas, etc. a la unidad para evitar bloquear la entrada y la salida de aire.
- No se apoye en el producto ni lo incline durante el funcionamiento.
- Cuando lo use al mismo tiempo que electrodomésticos a gas (como estufas a gas, calentadores de agua, etc.), ventile para evitar el envenenamiento por monóxido de carbono.
- Se recomienda el uso de agua destilada para la máquina. Si se usa agua del grifo, según la calidad del agua, es posible que se acumule cal en la bomba, el filtro, la pared interior del depósito y la ventana transparente. Cuando la cantidad de cal acumulada alcance cierto nivel, el funcionamiento normal se verá afectado. Si se produce esta situación, lave la máquina como se indica en Mantenimiento y cuidados.

Aviso

- No vierta agua a una temperatura superior a 35°C en el depósito para evitar provocar daños a la máquina.
- Desconecte el enchufe de alimentación cuando limpie y llene con agua.
- "MAX" en el depósito de agua indica el nivel más alto al que se puede llenar el agua.

Especificaciones

Nombre del producto	Humidificador de selva tropical Smartmi
Modelo	C.JJSQ06ZM
Principio de funcionamiento	Evaporación por aspersión de agua
Dimensiones	Φ 220 × 422mm
Peso neto	Pesa acerca de 3,3 kg
Entrada nominal del adaptador	100-240V~, 50/60Hz, 0.3A
Tensión nominal	12V ~
Potencia nominal	7W
Ruido	≤50dB(A)
Humidificación nominal	200mL/h
Capacidad nominal del depósito	3L
Conexión inalámbrica	Wi-Fi IEEE802.11b/g/n 2.4GHz

Temperatura ambiental de uso: De 10 a 40 °C; Humedad: humedad relativa inferior al 80 % (a una temperatura de 25 °C)

Especificaciones de RF:

Wi-Fi 2.4G (2400 ~ 2483.5 MHz), Max. Potencia de salida RF: <20 dBm
 En condiciones de uso normal, este equipo debe mantenerse a una distancia de separación de al menos 20 cm entre la antena y el cuerpo del usuario

Nota: Los valores de ruido son los datos medidos en un entorno de laboratorio

Adaptador

Información Publicada	Valor y Precisión	Unidad
Fabricante	Zhongshan Baolijin Electronic Co.Ltd.	-
Identificador de Modelo	BLJ9W120075P-VA	-
Voltaje de Entrada	100-240	V~
Frecuencia AC de Entrada	50/60	Hz
Voltaje de Salida	12.0	V~
Corriente de Salida	0.75	A
Potencia de Salida	9.0	W
Eficiencia Activa Promedio	83.81	%
Eficiencia con Carga Reducida (10%)	75.21	%
Consumo de Energía sin Carga	0.072	W

Información sobre el cumplimiento de la normativa

Declaración de conformidad de la UE

CE Por la presente, Beijing Smartmi Electronic Technology Co., Ltd. declara que el tipo de equipo radioeléctrico - Humidificador de selva tropical Smartmi, CJJSQ06ZM cumple con la Directiva 2014/53/UE. Encontrará el texto completo de la declaración de conformidad de la UE en esta dirección de Internet: <http://www.mi.com/global/service/support/declaration.html>

Directiva RAEE de información de eliminación y reciclaje



Todos los productos que llevan este símbolo son residuos de aparatos eléctricos y electrónicos (RAEE según la directiva 2012/19/UE) que no deben mezclarse con residuos domésticos sin clasificar. En su lugar, debe proteger la salud humana y el medio ambiente entregando sus equipos de desecho a un punto de recogida para el reciclaje de residuos de equipos eléctricos y electrónicos, designado por el gobierno o las autoridades locales. La eliminación y el reciclado correctos ayudarán a evitar posibles consecuencias negativas para el medio ambiente y la salud humana. Póngase en contacto con el instalador o con las autoridades locales para obtener más información sobre la ubicación y las condiciones de dichos puntos de recogida.

Avvertenza

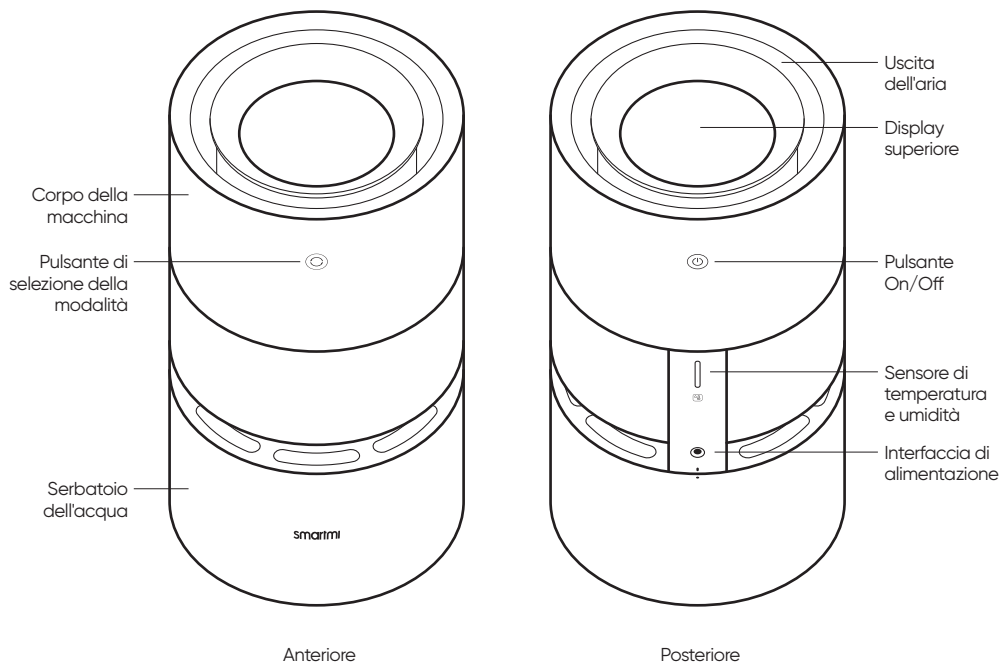
- Questo apparecchio non è destinato all'utilizzo da parte di persone (inclusi bambini) con capacità fisiche, sensoriali o mentali ridotte, oppure con mancanza di esperienza e conoscenza, a meno che non ricevano supervisione e istruzione riguardo l'utilizzo dell'apparecchio da parte di una persona responsabile della loro incolumità.
- Non consentire ai bambini di giocare con l'apparecchio.
- Le operazioni di pulizia e manutenzione non devono essere effettuate da bambini, a meno che non siano sorvegliati.
- Tenere il dispositivo fuori dalla portata dei bambini. Il vapore e l'acqua bollente possono causare ustioni
- Si tenga presente che livelli elevati di umidità possono favorire lo sviluppo di organismi biologici nell'ambiente.
- Non lasciare che l'area intorno all'umidificatore diventi umida o bagnata. In caso di umidità, diminuire il flusso in uscita dell'umidificatore. Se non è possibile diminuire il volume in uscita dall'umidificatore, utilizzare l'umidificatore a intermittenza. Non lasciare che i materiali assorbenti, come moquette, tende, drappi o tovaglie, si inumidiscano.
- Scollegare il dispositivo durante il riempimento e la pulizia.
- Non lasciare mai acqua nel serbatoio quando l'apparecchio non è in

uso.

- Svuotare e pulire l'umidificatore prima di riporlo. Pulire l'umidificatore prima del prossimo utilizzo.
- Per prevenire scosse elettriche, incendi, lesioni personali e altri danni, non utilizzare l'umidificatore quando:
 - Il corpo principale dell'umidificatore è inclinato. L'inclinazione dell'umidificatore può causare la segnalazione errata del livello dell'acqua o il traboccamento dell'acqua. L'umidificatore deve essere posizionato su una superficie piana e stabile durante l'uso.
 - Ci sono oggetti vicini che potrebbero cadere o essere instabili.
 - In luoghi caldi, umidi o bagnati come i bagni.
- Alimentare l'umidificatore utilizzando l'adattatore standard fornito con l'umidificatore. Per motivi di sicurezza, gli adattatori o i cavi di alimentazione danneggiati devono essere sostituiti dal produttore o da un professionista di un fornitore di servizi di riparazione designato.
- Da utilizzare solo con il caricatore BLJ9W120075P-VA di Zhongshan Baolijin Electronic Co.,Ltd.
- Eccetto che per la manutenzione, non smontare il prodotto senza autorizzazione. Per le richieste di riparazione, si prega di contattare il servizio clienti Smartmi.

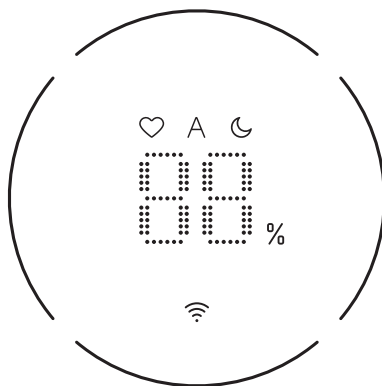
Panoramica sul prodotto

Contenuto della confezione: il corpo della macchina, il serbatoio dell'acqua, l'adattatore e il manuale di funzionamento. Leggere il presente manuale attentamente prima dell'utilizzo e conservarlo per riferimento futuro.



Note: in questo manuale, le illustrazioni del prodotto e dei suoi accessori e l'interfaccia utente sono a solo scopo di riferimento. Il prodotto reale può variare rispetto a quello mostrato negli schemi a causa di aggiornamenti del prodotto. Si prega di fare riferimento al prodotto reale.

Introduzione dello schermo



Visualizzazione dell'umidità dell'aria nell'ambiente



Modalità di funzionamento

- Massima potenza:** stato di funzionamento alla massima potenza di umidificazione
- Automatico:** sceglie automaticamente la velocità secondo l'umidità corrente
- Sonno:** stato di funzionamento a bassissimo rumore



L'indicatore Wi-Fi



Anello indicatore del livello dell'acqua

Mancanza d'acqua

Quando la macchina rileva la mancanza dell'acqua (livello dell'acqua nel serbatoio <15%), l'anello indicatore del livello dell'acqua lampeggia in rosso.

Visualizzazione in tempo reale del livello dell'acqua

Dalla pagina di umidificazione della macchina, lo stato del livello dell'acqua può essere visualizzato in tempo reale attraverso l'anello luminoso



15%-25%



25%-50%



50%-75%

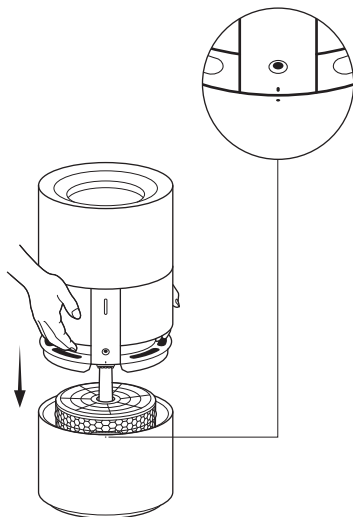


75%-100%

Utilizzo

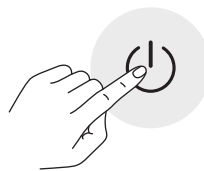
Installazione

Come mostrato nella figura, allineare i punti di allineamento del corpo della macchina e del serbatoio dell'acqua, e installare il corpo della macchina in posizione. Inserire l'adattatore di corrente e accendere.



Accensione e Spegnimento

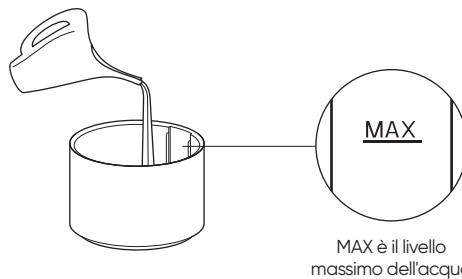
Premere il pulsante dell'interruttore nella zona sul posteriore dell'unità principale per accendere e spegnere



Inserire acqua

Si raccomanda di usare acqua purificata perché quando si usa acqua di un'altra qualità è probabile la formazione di calcare

Come mostrato nella figura a destra, inserire l'acqua nel serbatoio separatamente. Prima di raggiungere un alto livello di acqua (MAX è il livello massimo dell'acqua), l'inserimento dell'acqua deve essere interrotto.



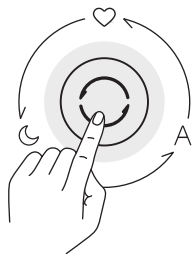
MAX è il livello massimo dell'acqua

Suggerimento: non capovolgere il corpo della macchina.

Utilizzo

Selezione della modalità di funzionamento

Quando il dispositivo è acceso, fare clic sul pulsante di selezione della modalità sulla parte anteriore dell'unità principale per selezionare le tre modalità di funzionamento (Max - Automatico - Sonno)

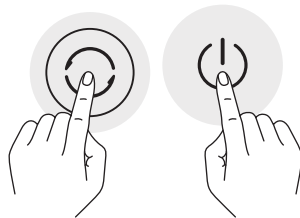
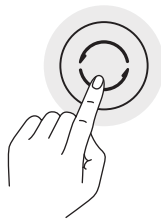


Abilitazione/disabilitazione della connessione Wi-Fi

Toccare e tenere premuto il pulsante di accensione e il pulsante modalità per 7 secondi. Il dell'Umidificatore emetterà un suono di notifica e il Wi-Fi sarà disattivato. Toccare e tenere premuto il pulsante di accensione e il pulsante modalità per 7 secondi. Il dell'Umidificatore emetterà un suono di notifica e il Wi-Fi sarà abilitato.

Ripristino Wi-Fi

Quando l'APP viene collegata per la prima volta o non può essere collegata, premere a lungo il "pulsante di selezione della modalità" per 7 secondi, l'icona Wi-Fi lampeggia, l'unità principale emette un segnale acustico, entra nello stato di connessione in attesa e il Wi-Fi viene resettato con successo.



Collegamento del dispositivo a Smartmi Link

Questo prodotto è stato collegato a Smartmi Link e può essere controllato tramite l'app.

Scansionare il codice QR o cercare "Smartmi Link" nell'app store per scaricare e installare l'app. Vai alla home page dell'app, fai clic su "+" al centro della pagina e poi aggiungi il dispositivo come richiesto.



Nota:

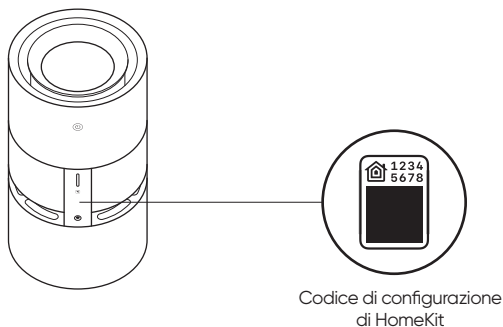
- Assicurati che la tua rete Wi-Fi sia disponibile e abbia accesso a Internet. Posiziona il tuo telefono il più vicino possibile a questo prodotto. (Questo prodotto non supporta le reti 5G)
- Questo prodotto verrà elencato come "Smartmi Umidificatore Rainforest" nell'elenco dei dispositivi dell'app.

Utilizzo

Controllo intelligente con Apple HomeKit

- 01 Apri l'app Home sul tuo iPhone/iPad.
- 02 Tocca "Aggiungi accessorio" poi scansiona il codice di configurazione di HomeKit sull'adesivo del prodotto (due adesivi sull'unità del dispositivo, vedi l'illustrazione) o inserisci il codice di configurazione di otto cifre sopra il codice di configurazione di HomeKit. Il dispositivo verrà quindi collegato all'app Apple Home.

Il dispositivo può essere collegato a Smartmi Link dopo essere stato collegato a HomeKit. Vai alla pagina delle Info Personali su Smartmi Link. Tocca "Info HomeKit" e poi collega il dispositivo HomeKit come richiesto. I dispositivi collegati a Smartmi Link possono essere aggiunti a HomeKit. Vai alla pagina del Controllo Dispositivo su Smartmi Link. Tocca "Aggiungi a HomeKit" nelle "Impostazioni" e poi collega il dispositivo a HomeKit come richiesto.



Nota:

- Assicurati che la tua rete Wi-Fi sia disponibile e abbia accesso a Internet. Posiziona il tuo telefono il più vicino possibile a questo prodotto. (Questo prodotto non supporta le reti 5G)
- Per controllare questo accessorio compatibile con HomeKit, si consiglia di utilizzare iOS 13.0 o una versione successiva.
- Si prega di conservare il codice di configurazione di HomeKit, poiché dovrai scansionare il codice per collegare il dispositivo a HomeKit dopo un ripristino alle impostazioni di fabbrica.
- iPad e iPhone sono marchi di Apple Inc., registrati negli Stati Uniti e in altri paesi.
- Il controllo automatico e fuori casa di questo accessorio abilitato per HomeKit richiede un hub domestico. Si consiglia di eseguire l'aggiornamento al software e al sistema operativo più recenti.

* Se hai bisogno di istruzioni più dettagliate, visita: <https://www.smartmiglobal.com/pages/helpcenter>

Modalità di pulizia automatica

La modalità di pulizia automatica può essere attivata o disattivata dall'APP. Al termine della pulizia automatica, l'umidificatore emetterà un segnale acustico, lo schermo e la macchina si spegneranno.

Sostituire l'elemento filtrante

Attenzione: prima di sostituire l'elemento filtrante, assicurarsi che il dispositivo sia spento e scollegare l'adattatore di corrente

Nota: per evitare lesioni, non mettere le dita tra il corpo della macchina e il serbatoio dell'acqua quando si sostituisce l'elemento filtrante. Non capovolgere il corpo della macchina

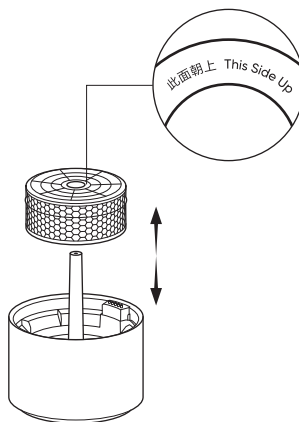
01 Rimuovere il corpo della macchina

Rimuovere il corpo della macchina verso l'alto.



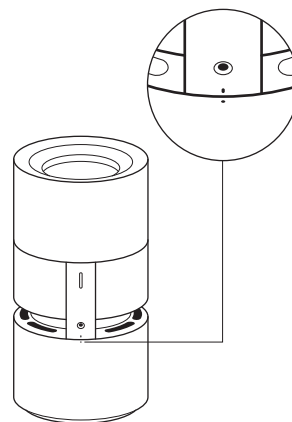
02 Togliere il vecchio elemento filtrante e installare il nuovo elemento filtrante

Togliere il vecchio elemento filtrante, al suo posto installare il nuovo elemento filtrante con la parte anteriore verso l'alto, e installare il corpo della macchina



03 Installare il corpo della macchina

Allineare i punti di allineamento del corpo della macchina e del serbatoio dell'acqua e reinserire il corpo della macchina



Come acquistare l'elemento filtrante?

Scansiona il codice QR o visita il negozio ufficiale Smartmi <https://smartmglobal.com/products/smartmi-humidifier-rainforest-filter> per ulteriori informazioni.

Suggerimento:

- Si raccomanda di sostituire l'elemento filtrante in un periodo compreso tra sei mesi e un anno.
- Si prega di acquistare elementi filtranti originali dai canali ufficiali.

Manutenzione e Riparazione

Attenzione: assicurarsi di spegnere l'umidificatore e scollegare l'alimentatore prima di eseguire le seguenti operazioni. Non mettere il corpo della macchina a testa in giù durante la pulizia.

Pulire completamente la macchina

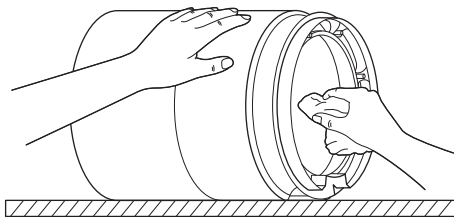
Per i sedimenti sul serbatoio dell'acqua, sulla finestra trasparente e sull'elemento filtrante, una quantità appropriata di acido citrico alimentare può essere aggiunta come detergente al serbatoio dell'acqua, e la modalità di massima potenza può essere utilizzata per la pulizia per circa 15 minuti (a seconda dei risultati di pulizia effettivi). Dopo la pulizia, lavare il serbatoio dell'acqua, il collettore dell'acqua e l'elemento filtrante con acqua pulita.

Nota:

- Durante il processo di pulizia dell'umidificatore, assicurarsi che la temperatura dell'acqua non sia superiore a 35°C per evitare di danneggiare la macchina a causa di temperatura dell'acqua troppo alta.
- Durante il processo di pulizia dell'umidificatore, è vietato aggiungere acidi forti, alcali forti o detersivi altamente corrosivi per evitare di danneggiare la macchina.

Pulire le finestre trasparenti

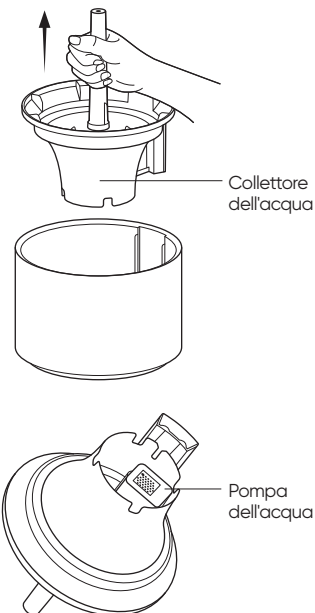
Togliere il corpo della macchina e metterlo sulla scrivania orizzontale. Tenere saldamente la macchina con una mano e con l'altra pulire delicatamente la parete interna della finestra trasparente con un panno morbido.



Nota: non lavare il corpo della macchina. Si prega di usare un panno morbido asciutto per pulire in modo da evitare che l'acqua danneggi l'unità principale.

Pulire la pompa dell'acqua

Dopo aver rimosso il corpo della macchina e l'elemento filtrante, togliere il collettore d'acqua dal serbatoio dell'acqua verso l'alto e girarlo, strofinare delicatamente la pompa dell'acqua con una spazzola morbida.

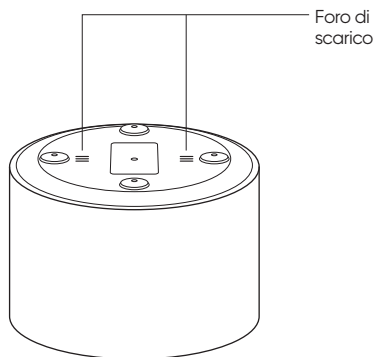
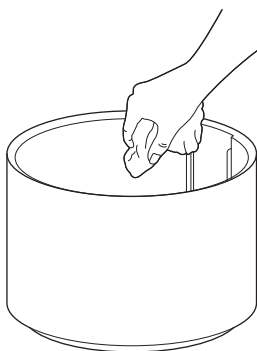


Manutenzione e Riparazione

Pulire il serbatoio dell'acqua

Per evitare che il serbatoio dell'acqua si sporchi e produca un odore particolare, può essere lavato con acqua pulita o pulito con un panno morbido in modo da mantenere il serbatoio dell'acqua pulito.

C'è un foro di scarico sul fondo del serbatoio dell'acqua. Dopo che il serbatoio è stato completamente pulito o si è verificato un traboccamento a causa di un riempimento eccessivo involontario, non riutilizzare immediatamente il serbatoio. Posizionare il serbatoio dell'acqua a terra con il foro di scarico rivolto verso il basso per scaricare l'acqua interna.



Nota: si raccomanda di pulire una volta alla settimana o in base all'effettiva frequenza d'uso.

Precauzioni

Trasporto

- Quando si sposta, assicurarsi di fermare l'unità principale e staccare la spina.
- Quando si trasporta o si sposta il prodotto, si prega di svuotare prima l'acqua residua nel serbatoio.

Installazione

- Si prega di installare il prodotto correttamente seguendo le istruzioni, per evitare scosse elettriche, incendi, lesioni personali e altri danni.
- Non collegare l'alimentazione fino a quando il prodotto non è assemblato.

Adattatore

Usare l'adattatore secondo le seguenti istruzioni per evitare incendi, scosse elettriche o danni:

- Deve essere collegato a una presa di corrente adatta alla spina dell'adattatore.
- Non torcere, piegare o attorcigliare eccessivamente il cavo dell'adattatore, altrimenti il nucleo potrebbe venire esposto o rompersi.
- Scollegare sempre l'alimentazione prima di eseguire lavori di manutenzione o spostare l'umidificatore.
- Si prega di utilizzare l'adattatore di corrente standard incluso nella confezione per alimentare l'umidificatore. Se l'adattatore o il cavo di alimentazione sono danneggiati, devono essere

sostituiti dal personale professionale del produttore o dal suo dipartimento di manutenzione designato al fine di evitare pericoli.

Durante l'uso

- Se il prodotto emette un rumore anormale, un odore particolare, una temperatura elevata e altre anomalie, si prega di smettere di usarlo immediatamente.
- Non mettere le dita o oggetti estranei nelle protezioni, nelle parti mobili, nelle ingressi e nelle uscite dell'aria.
- Non mettere capelli, stoffa, ecc. vicino all'unità principale, perché potrebbero impigliarsi o bloccare l'ingresso e l'uscita dell'aria.
- Non appoggiarsi o inclinare il prodotto durante il funzionamento.
- Si prega di ventilare quando si usano elettrodomestici a gas (come una stufa a gas, uno scaldabagno a gas, ecc.) per evitare l'avvelenamento da monossido di carbonio.
- Si raccomanda l'uso di acqua purificata per questa macchina. Se viene utilizzata acqua di rubinetto, a seconda della qualità dell'acqua, può portare all'accumulo di calcare sulla pompa dell'acqua, sull'elemento filtrante, sulla parete interna del serbatoio dell'acqua

e sulla finestra trasparente. Dopo che l'accumulo di calcare raggiunge un certo grado, influenzerà il normale funzionamento dell'umidificatore. Quando si verifica questo tipo di situazione, si prega di pulire secondo i metodi di "Manutenzione e Riparazione".

Avvertenza

- Non versare acqua calda a temperatura superiore a 35°C nel serbatoio dell'acqua per evitare danni all'apparecchio.
- Scollegare il cavo di alimentazione durante il versamento dell'acqua e la pulizia.
- Il "MAX" nel serbatoio dell'acqua indica: la linea del livello dell'acqua massimo che si può raggiungere in fase di riempimento.

Prametri fondamentali

Nome del prodotto	Smartmi Umidificatore Rainforest
Modello	CJJSQ06ZM
Principio di funzionamento	Evaporazione di spruzzi d'acqua
Dimensioni articolo	Φ 220 × 422mm
Peso netto	Circa 3,3 kg
Ingresso nominale dell'adattatore	100-240V~, 50/60Hz, 0.3A
Tensione nominale	12V =
Potenza nominale	7W
Rumore	≤50dB(A)
Umidità nominale	200mL/h
Capacità nominale del serbatoio	3L
Connessione senza fili	Wi-Fi IEEE802.11b/g/n 2.4GHz

Temperatura ambiente di esercizio: 10 ~ 40 °C; umidità: l'umidità relativa non deve superare 80% (Temperatura 25 °C)

Características de RF:
Wi-Fi 2.4G (2400 - 2483.5 MHz), Máx. Potência de saída de RF: <20 dBm
Em condições normais de uso, este equipamento deve manter uma distância de pelo menos 20 cm entre a antena e o corpo do utilizador.

Nota: il valore del rumore è misurato in ambiente di laboratorio

Adattatore di Potenza

Informazione Pubblicata	Valore e Precisione	Unità
Produttore	Zhongshan Baolijin Electronic Co.Ltd.	-
Identificatore del Modello	BLJ9W120075P-VA	-
Tensione d'ingresso	100-240	V~
Frequenza CA d'ingresso	50/60	Hz
Volatilità di Uscita	12.0	V=
Corrente di Uscita	0.75	A
Potenza di Uscita	90	W
Efficienza Attiva Media	83.81	%
Efficienza a Basso Carico (10%)	75.21	%
Consumo di Potenza a Vuoto	0.072	W

Informazioni sulla conformità a normative e standard

Europa – Dichiarazione di conformità europea

CE Con la presente, Beijing Smartmi Electronic Technology Co., Ltd. dichiara che l'apparecchiatura radio di tipo - Smartmi Umidificatore Rainforest, CJJSQ06ZM è conforme alla Direttiva 2014/53/UE. Il testo completo della dichiarazione di conformità UE è disponibile al seguente indirizzo Internet: <http://www.mi.com/global/service/support/declaration.html>

Informazioni sullo smaltimento e sul riciclaggio dei RAEE



Tutti i prodotti contrassegnati da questo simbolo sono rifiuti di apparecchiature elettriche ed elettroniche (RAEE in base alla direttiva 2012/19/UE) che non devono essere smaltiti assieme a rifiuti domestici non differenziati. Al contrario, è necessario proteggere l'ambiente e la salute umana consegnando i rifiuti a un punto di raccolta autorizzato al riciclaggio di rifiuti di apparecchiature elettriche ed elettroniche, predisposto dalla pubblica amministrazione o dalle autorità locali. Lo smaltimento e il riciclaggio corretti aiutano a prevenire conseguenze potenzialmente negative all'ambiente e alla salute umana. Contattare l'installatore o le autorità locali per ulteriori informazioni sulla sede e per i termini e le condizioni di tali punti di raccolta.

Środki ostrożności

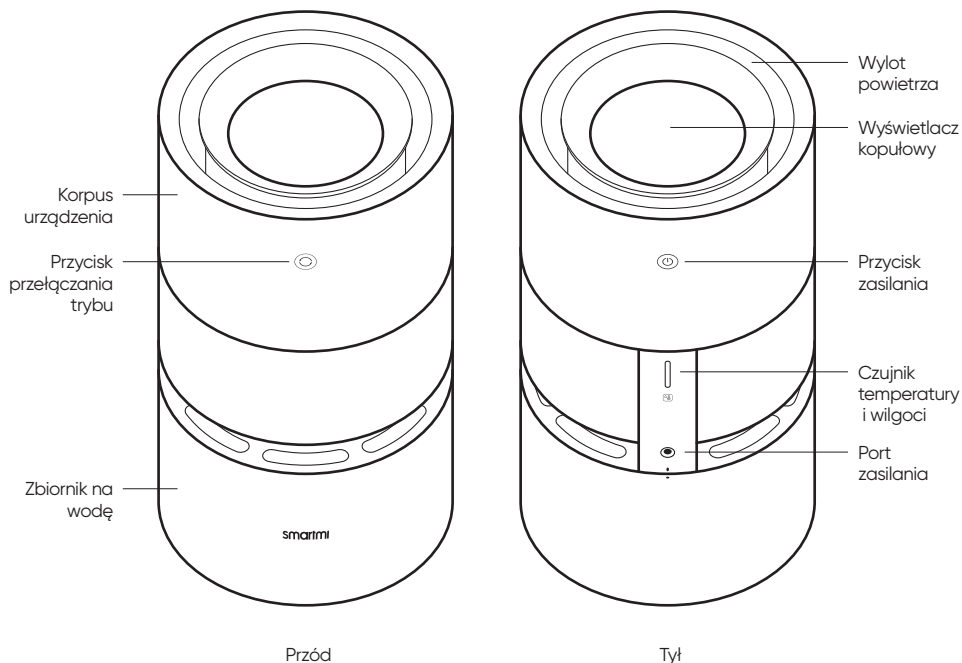
- Tego urządzenia nie powinny używać osoby (w tym dzieci) o obniżonej sprawności fizycznej, sensorycznej lub umysłowej ani osoby bez odpowiedniej wiedzy i doświadczenia, chyba że nad ich bezpieczeństwem będzie czuwać osoba za nie odpowiedzialna.
- Dzieci nie powinny bawić się urządzeniem.
- Czyszczenie i konserwacja nie mogą być przeprowadzane przez dzieci bez nadzoru.
- Przechowuj urządzenie poza zasięgiem dzieci. Para oraz gotująca się woda mogą spowodować poparzenia.
- Należy pamiętać, że wysokie poziomy wilgotności mogą sprzyjać rozwojowi organizmów biologicznych w środowisku.
- Nie pozwól, aby obszar wokół nawilzacza stał się wilgotny lub mokry. W przypadku wystąpienia wilgoci zmniejsz moc wyjściową nawilzacza. W przypadku, gdy moc wyjściowa nawilzacza nie może zostać zmniejszona, należy używać nawilzacza z przerwami. Nie pozwól, aby materiały chłonne takie jak dywany, kurtyny, zasłony lub obrusy stały się wilgotne.
- Podczas napełniania oraz czyszczenia urządzenia musi być ono odłączone od zasilania.
- Nigdy nie pozostawiaj wody w zbiorniku, gdy urządzenie nie jest używane.

- Przed przechowywaniem należy opróżnić i wyczyścić nawilżacz. Wyczyść nawilżacz przed następnym użyciem.
- Aby uniknąć porażenia prądem, pożaru, obrażeń ciała i innych szkód, nie używaj nawilżacza, gdy:
 - główny korpus nawilżacza jest przechylony. Przechylenie nawilżacza może spowodować nieprawidłowe wskazanie poziomu wody lub przelanie się wody. Nawilżacz powinien być umieszczony na płaskiej i stabilnej powierzchni podczas użytkowania.
 - w pobliżu znajdują się przedmioty, które mogą spaść lub są niestabilne.
 - w miejscach gorących, wilgotnych lub mokrych, takich jak łazienki. Nawilżacz należy zasilac za pomocą standardowego zasilacza dostarczonego z nawilżaczem. Ze względów bezpieczeństwa uszkodzone adaptory lub przewody zasilające muszą zostać wymienione przez producenta lub specjalistę z wyznaczonego serwisu naprawczego.
 - Do użytku wyłącznie z ładowarką BLJ9W120075PUA wyprodukowaną przez Zhongshan Baolijin Electronic Co.,Ltd.
 - Nie należy samodzielnie demontować produktu, chyba że jest to demontaż konieczny do przeprowadzenia konserwacji.

Podstawowe informacje

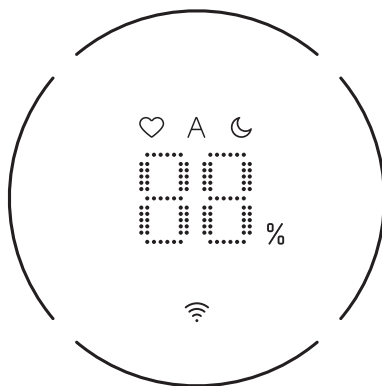
Zawartość zestawu: korpus urządzenia, pojemnik na wodę, zasilacz, instrukcja obsługi

Przed użyciem produktu prosimy o uważne przeczytanie niniejszej instrukcji obsługi i właściwe jej przechowywanie.



Uwaga: W niniejszej instrukcji ilustracje produktu i jego akcesoriów oraz interfejsu użytkownika są schematami służącymi wyłącznie do celów poglądowych. Rzeczywisty produkt może różnić się od przedstawionego na schematach z powodu aktualizacji i unowocześnienia produktu. Należy zapoznać się z rzeczywistym produktem.

Opis wyświetlacza



Wyświetlacz wilgotności powietrza w otoczeniu



Poziomy trybów pracy

- ♡ **Tryb MAX:** urządzenie w trybie maksymalnego nawilżania
- A **Tryb automatyczny:** prędkość wybierana jest automatycznie na podstawie aktualnej wilgotności.
- ☾ **Tryb Sleep:** praca w bardzo cichym stanie



Dioda Wi-Fi



Pierścieniowy wskaźnik poziomu wody

Niski poziom wody

- Gdy urządzenie wykryje niski poziom wody (<15%), pierścieniowy wskaźnik poziomu wody miga na czerwono.

Wyświetlanie poziomu wody w czasie rzeczywistym

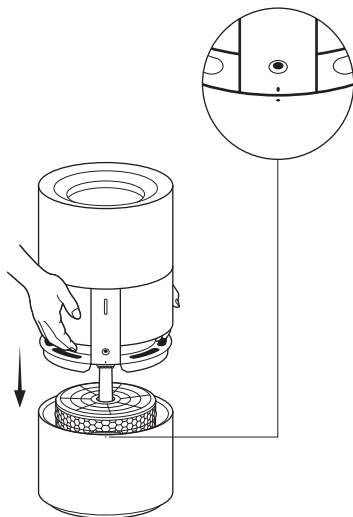
Na stronie głównej nawilżacza stan wody może być wyświetlany w czasie rzeczywistym za pomocą pierścienia świetlnego.

- 15%-25%
- 25%-50%
- 50%-75%
- 75%-100%

Użytkowanie

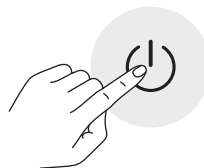
Instalacja

Tak jak pokazano na rysunku, proszę wyrównać korpus urządzenia ze zbiornikiem wody i zainstalować korpus urządzenia na właściwym miejscu. Następnie podłączyć zasilacz i włączyć zasilanie.



Włączanie i wyłączanie urządzenia

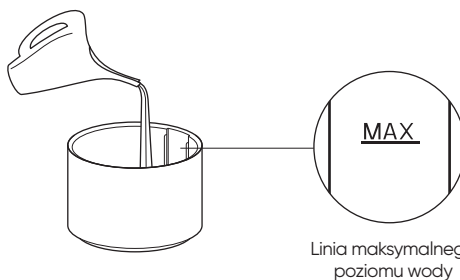
Naciśnij przycisk przełącznika znajdujący się z tyłu jednostki, aby włączyć lub wyłączyć urządzenie.



Wlewanie wody

Aby uniknąć osadzania się kamienia, zaleca się stosowanie czystej wody.

Napełnij zbiornik na wodę do wysokiego poziomu wody (linia MAX) jak pokazano na rysunku.

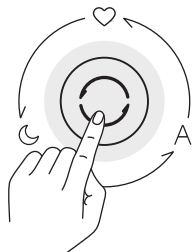


Wskazówka: Urządzenie należy przechowywać w pozycji pionowej.

Użytkowanie

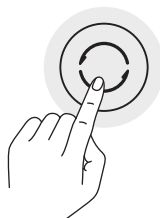
Przełączanie między trybami

Gdy urządzenie jest włączone, naciśnij przycisk Mode (Tryb) z przodu aby przełączać kolejno pomiędzy trzema trybami w kolejności (Max - Automatyczny - Sleep).



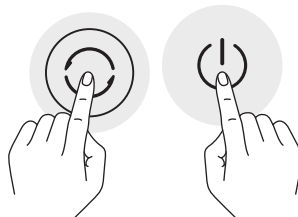
Resetowanie Wi-Fi

Gdy podłączasz aplikację po raz pierwszy lub gdy nie uda się nawiązać połączenia, naciśnij i przytrzymaj przycisk trybu przez siedem sekund. Ikona Wi-Fi zacznie migać, a urządzenie wyda powiadomienie dźwiękowe oznaczające, że urządzenie jest gotowe do nawiązania połączenia i że sieć Wi-Fi została zresetowana.



Włączanie/wyłączanie funkcji Wi-Fi

Stuknij i przytrzymaj przycisk zasilania i przycisk trybu przez 7 sekund. Urządzenie wyemituje dźwięk powiadomienia, a sieć Wi-Fi zostanie wyłączona. Gdy funkcja Wi-Fi jest wyłączona, stuknij i przytrzymaj przez 7 sekund przycisk zasilania i przycisk trybu. Nawilżacz wyemituje dźwięk powiadomienia, a funkcja Wi-Fi zostanie włączona.



Łączenie urządzenia z Smartmi Link

Ten produkt został podłączony do Smartmi Link i może być sterowany za pomocą aplikacji. Zeskanuj kod QR lub wyszukaj "Smartmi Link" w sklepie z aplikacjami, aby pobrać i zainstalować aplikację. Przejdź do strony głównej aplikacji, kliknij "+" na środku strony, a następnie dodaj urządzenie zgodnie z poleceniem.



Uwaga:

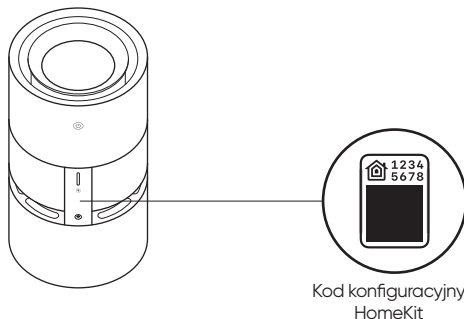
Należy upewnić się, że sieć Wi-Fi jest dostępna i ma dostęp do Internetu. Umieść swój telefon jak najbliżej tego produktu. (Ten produkt nie obsługuje sieci 5G.) Ten produkt będzie wyświetlany jako "Smartmi Humidifier Rainforest" na liście urządzeń w aplikacji.

Użytkowanie

Inteligentne użytkowanie za pomocą Apple HomeKit

- 01 Otwórz aplikację w telefonie/iPhone/iPadzie.
- 02 Stuknij "Add Accessory" (Dodaj akcesorium), a następnie zeskanuj kod konfiguracji HomeKit znajdujący się na produkcie (dwie naklejki na urządzeniu), lub wprowadź ośmiocyfrowy kod konfiguracji powyżej kodu konfiguracji HomeKit. Urządzenie zostanie połączone z aplikacją Apple Home.

Urządzenie można połączyć z Smartmi Link po połączeniu z HomeKit. Przejdź do strony Personal Info (Informacje personalne) w aplikacji Smartmi Link. Stuknij "HomeKit Info", a następnie połącz urządzenie HomeKit zgodnie z poleceniem. Urządzenia połączone z aplikacją Smartmi Link mogą być również dodane do HomeKit. Przejdź do strony "Device Control" (Sterowanie urządzeniem) w Smartmi Link. Stuknij "Add to HomeKit" (Dodaj do HomeKit) w "Settings" (Ustawienia), a następnie połącz urządzenie z HomeKit zgodnie z wyświetlonym monitem.



Uwaga:

- Upewnij się, że sieć Wi-Fi jest dostępna i ma dostęp do Internetu. Umieść telefon jak najbliżej tego produktu. (Ten produkt nie obsługuje sieci 5G).
- Aby sterować tym akcesorium, które jest zgodne z HomeKit, zaleca się korzystanie z systemu iOS 13,0 lub nowszej wersji.
- Należy zachować kod konfiguracji HomeKit, ponieważ po przywróceniu ustawień fabrycznych konieczne będzie zeskanowanie kodu w celu powiązania urządzenia z HomeKit.
- Sterowanie tym akcesorium obsługującym HomeKit automatycznie i z dala od domu wymaga HomePod, Apple TV lub iPada skonfigurowanego jako hub domowy. Zalecana jest aktualizacja do najnowszego oprogramowania i systemu operacyjnego.

* Jeśli potrzebujesz bardziej szczegółowych instrukcji, odwiedź stronę: <https://www.smartmiglobal.com/pages/helpcenter>

Tryb samooczyszczania

Użyj aplikacji, aby włączyć lub wyłączyć tryb samooczyszczania. Po zakończeniu zadania samooczyszczania urządzenie wyemituje sygnał dźwiękowy, wyłączysz się i przyciemni ekran.

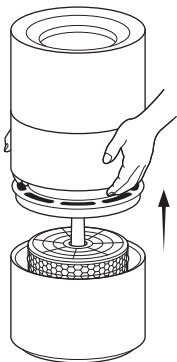
Wymiana filtra

Ostrzeżenie: Przed wymianą filtra należy upewnić się, że urządzenie zostało wyłączone i odłączone od zasilania.

Uwaga: Aby uniknąć obrażeń, podczas wymiany filtra należy unikać wkładania palców między urządzenie, a zbiornik wody. Urządzenie należy trzymać w pozycji pionowej.

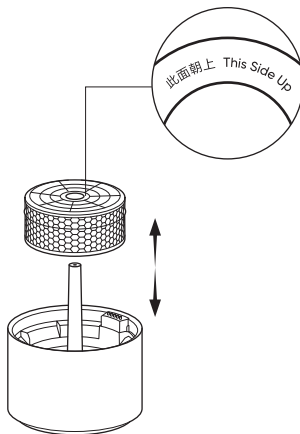
01 Wymij korpus urządzenia

Zdejmij korpus urządzenia, pociągając je do góry.



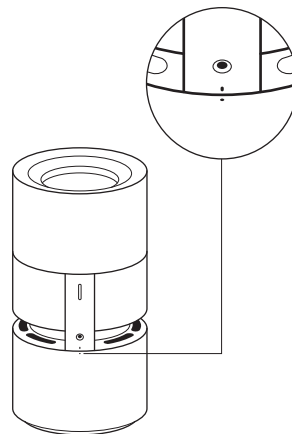
02 Wymij zużyty filtr i zamontuj nowy.

Wymij zużyty filtr i zainstaluj nowy filtr stroną do góry.



03 Zamontuj korpusu urządzenia

Wyrównaj korpus urządzenia z zbiornikiem na wodę, a następnie zainstaluj z powrotem korpus urządzenia.



W jaki sposób można kupić wkład filtrujący?

Zeskanuj kod QR lub odwiedź oficjalny sklep Smartmi:
<https://smartmiglobal.com/products/smartmi-humidifier-rainforestfilter>, aby uzyskać więcej informacji.

Wskazówki:

Zaleca się wymianę filtra co sześć miesięcy do roku. Oryginalne, zgodne filtry należy kupować tylko z oficjalnych źródeł.

Konserwacja produktu

Ostrzeżenie: Przed przystąpieniem do wykonywania poniższych czynności należy wyłączyć urządzenie i odłączyć je od zasilania. Podczas czyszczenia, urządzenie należy trzymać w pozycji pionowej.

Czyszczenie urządzenia

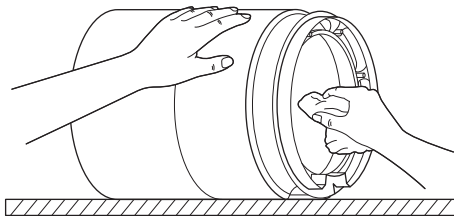
W przypadku osadu znajdującego się w zbiorniku na wodę, przezroczystym okienku i elemencie filtrującym, można dodać odpowiednią ilość środka czyszczącego z kwasem cytrynowym przeznaczonym do kontaktu z żywnością do zbiornika na wodę, a następnie użyć maksymalnego trybu przez 15 minut w celu czyszczenia dla uzyskania lepszego efektu czyszczenia (w zależności od rzeczywistego efektu czyszczenia). Po wyczyszczeniu należy przepłukać czystą wodą zbiornik na wodę, kolektor wody oraz wkład filtrujący.

Uwagi:

- Aby uniknąć uszkodzenia urządzenia podczas procesu czyszczenia, należy upewnić się, że temperatura wody używanej do czyszczenia urządzenia nie przekracza 35°C.
- Aby uniknąć uszkodzenia urządzenia, nie należy używać detergentów o odczynie silnie kwaśnym lub zasadowym ani innych silnie żrących roztworów czyszczących.

Czyszczenie przezroczystego okna

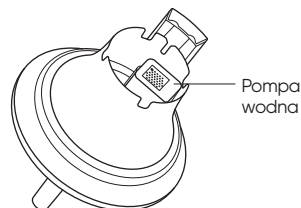
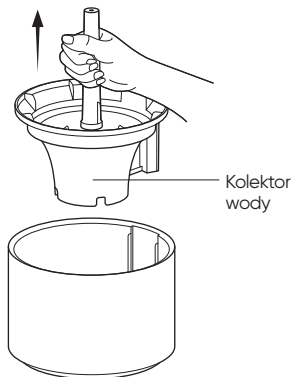
Zdejmij korpus urządzenia, a następnie umieść go na płaskiej powierzchni. Jedną ręką przytrzymaj maszynę, a drugą ręką delikatnie przetrzyj wewnętrzną ściankę przezroczystego okienka za pomocą miękkiej szmatki.



Uwaga: Płukanie urządzenia jest zabronione. Przed wytarciem urządzenia należy dokładnie wycisnąć miękką ściereczkę, aby zapobiec uszkodzeniu urządzenia przez nadmiar wody.

Czyszczenie pompy wodnej

Po wyjęciu korpusu urządzenia i filtra, wyjmij kolektor wody ze zbiornika na wodę i obróć go. Wyczyść pompę delikatnie miękką szczotką.

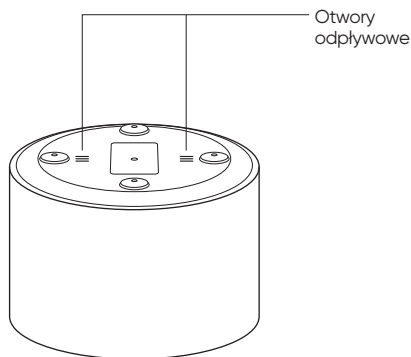
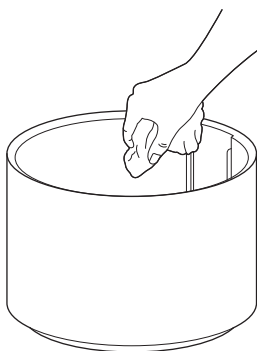


Konserwacja produktu

Czyszczenie zbiornika na wodę

W celu zapobiegnięciu zanieczyszczeniu filtra i wytwarzaniu nieprzyjemnych zapachów, utrzymuj zbiornik w czystości przepłukując go czystą wodą lub wycierając go za pomocą miękkiej szmatki.

W dolnej części zbiornika na wodę znajdują się otwory odpływowe. Nie należy używać zbiornika na wodę od razu po jego całkowitym opłukaniu lub po przypadkowym dodaniu zbyt dużej ilości wody. Zamiast tego należy umieścić zbiornik na wodę na ziemi, tak aby otwory odpływowe były skierowane w dół, aby odprowadzić wodę z wnętrza zbiornika.



Uwaga: Zaleca się czyszczenie zbiornika na wodę raz w tygodniu lub w zależności od częstotliwości użytkowania.

Środki ostrożności

Przenoszenie

- Podczas przenoszenia urządzenia pamiętaj, aby go najpierw wyłączyć oraz wyciągnąć wtyczkę z zasilania.
- Proszę opróżnić zbiornik na wodę przed przeniesieniem produktu.

Montaż

- Proszę upewnić się, że montujesz produkt poprawnie i zgodnie z instrukcją. W przeciwnym wypadku może dojść do porażenia elektrycznego, pożaru, obrażeń ciała lub innych uszkodzeń.
- W przypadku, gdy produkt nie jest zamontowany, proszę nie podłączać zasilania.

Zasilacz

Użyj zasilacza w następujący sposób, aby zapobiec wystąpieniu pożaru, porażenia prądem lub wyrządzenia innych uszkodzeń:

- Zasilacz musi być podłączony do gniazda elektrycznego odpowiedniego dla wtyczki zasilacza.
- Nie ściskaj, nie zginaaj, nie skręcaj nadmiernie przewodu zasilacza, ponieważ w przeciwnym wypadku jego rdzeń może zostać odsłonięty lub uszkodzony.
- Zawsze odłączaj zasilanie przed przystąpieniem do prac konserwacyjnych lub przed przenoszeniem nawilżacza.

- Proszę użyć dostarczonego zasilacza do nawilżacza. W przypadku uszkodzenia zasilacza lub przewodu zasilającego, musi on zostać wymieniony przez specjalistę producenta lub wyznaczony przez niego dział konserwacji, aby uniknąć niebezpieczeństwa.

Użytkowanie

- Jeżeli produkt zacznie wydawać nienaturalny hałas, zapach lub będzie gorący, proszę natychmiast przestać go używać.
- Nie wkładaj palców ani ciał obcych do osłon, ruchomych części, wlotów oraz wylotów powietrza urządzenia.
- Trzymaj włosy, tkaniny itp. z daleka od głównej jednostki urządzenia, aby nie zaplątały się w nią ani nie zablokowały wlotu oraz wylotu powietrza.
- Nie opieraj ani nie przechylaj produktu podczas jego pracy.
- W przypadku używania urządzenia razem z gazowymi urządzeniami gospodarstwa domowego (takie jak kuchenki gazowe, gazowe podgrzewacze wody itp.), należy je wietrzyć, aby zapobiec zatruciu tlenkiem węgla.
- Zaleca się używanie wody oczyszczonej z niniejszym urządzeniem. W przypadku korzystania z wody z kranu, w zależności od jakości wody, może dojść do

zgrupowania się kamienia na pompie wodnej, wkładzie filtrującym, wewnętrznej ściance zbiornika na wodę oraz przezroczystym oknie. Gdy zgromadzony kamień osiągnie określony poziom, to będzie to miało wpływ na normalną pracę nawilżacza. W takim przypadku należy go wyczyścić zgodnie z metodą opisaną w rozdziale „Konserwacja”.

Ostrzeżenie

- Nigdy nie wlewaj gorącej wody przekraczającej temperaturę 35°C do zbiornika na wodę, ponieważ może to doprowadzić do uszkodzenia urządzenia.
- Przed przystąpieniem do napełnienia oraz czyszczenia należy odłączyć wtyczkę.
- Oznaczenie "MAX" znajdujące się na zbiorniku oznacza najwyższy poziom wody podczas napełniania.

Podstawowe parametry

Nazwa produktu	Smartmi Humidifer Rainforest
Model produktu	CJJSQ06ZM
Zasady działania	Odparowywanie wody
Wymiary produktu	Φ220 × 422mm
Waga produktu	ok. 3,3 kg
Wejście znamionowe zasilacza	100-240V~, 50/60Hz, 0.3A
Napięcie znamionowe	12V=
Moc znamionowa	7W
Hałas	≤50dB(A)
Znamionowa wydajność nawilżania	200mL/h
Znamionowa pojemność zbiornika wody	3L
Bezprzewodowe połączenie	Wi-Fi IEEE802.11b/g/n 2.4GHz

Temperatura pracy: 10 ~ 40 °C;
Wilgotność: względna nie większa niż 80% (przy 25 °C)

Specyfikacja RF:
Wi-Fi 2.4G (2400 ~ 2483.5 MHz), Maks. Moc wyjściowa RF: <20 dBm
W normalnych warunkach użytkowania urządzenia należy zachować odległość między anteną, a ciałem użytkownika wynoszącą co najmniej 20 cm.

Uwaga: Hałas jest mierzony w środowisku laboratoryjnym. Data produkcji jest podana na urządzeniu.

Zasilacz

Opublikowane informacje	Wartość oraz precyzja	Jednostka
Producent	Zhongshan Baolijin Electronic Co.Ltd.	-
Identyfikator modelu	BLJ9W120075P-VA	-
Napięcie wejściowe	100-240	V~
Częstotliwość wejściowa AC	50/60	Hz
Napięcie wyjściowe	12.0	V=
Prąd wyjściowy	0,75 A	A
Moc wyjściowa	90	W
Średnia sprawność aktywna	83,81	%
Sprawność przy niskim obciążeniu (10%)	75,21	%
Pobór mocy bez obciążenia	0.072	W

Informacje o zgodności z przepisami

Europa – deklaracja zgodności UE

CE Niniejszym firma Beijing Smartmi Electronic Technology Co., Ltd. oświadcza, że urządzenie radiowe typu Smartmi Humidifer Rainforest, CJJSQ06ZM jest zgodne z dyrektywą 2014/53/UE. Pełny tekst deklaracji zgodności UE jest dostępny na następującej stronie internetowej: <http://www.mi.com/global/service/support/declaration.html>

Informacje dotyczące utylizacji i recyklingu WEEE



Wszystkie produkty oznaczone tym symbolem są uznane za odpady sprzętu elektrycznego i elektronicznego (WEEE zgodnie z Dyrektywą 2012/19/UE) i nie mogą być wyrzucane po zakończeniu okresu użytkowania wraz z innymi odpadami. W celu ochrony zdrowia ludzi oraz środowiska naturalnego należy przekazać zużyty sprzęt do wyznaczonego punktu utylizacji wyznaczonego przez instytucje rządowe lub lokalne. Prawidłowe usunięcie zużytego produktu pomaga w zapobieganiu potencjalnym negatywnym skutkom oddziaływania na środowisko naturalne i zdrowie ludzi. Więcej informacji można uzyskać w urzędzie lokalnym lub od instalatora.

Varningar

- Den här enheten är inte avsedd för användning av personer (däribland barn) med fysiska, sensoriska eller mentala funktionsnedsättningar, eller med bristande erfarenhet och kunskap, såvida de inte övervakas eller har fått instruktioner om hur enheten ska användas av en person som ansvarar för deras säkerhet.
- Barn ska inte leka med apparaten.
- Rengöring och användarunderhåll får inte utföras av barn utan tillsyn.
- Håll apparaten utom räckhåll för barn. Ånga och kokande vatten kan orsaka brännskador.
- Var medveten om att hög luftfuktighet kan främja tillväxten av biologiska organismer i miljön.
- Låt inte området runt luftfuktaren bli fuktigt eller blött. Om fukt uppstår, skruva ner luftfuktarens effekt. Om luftfuktarens utgångsvolym inte kan sänkas, använd luftfuktaren med jämna mellanrum. Låt inte absorberande material som mattor, gardiner, draperier eller dukar bli fuktiga.
- Koppla ur apparaten under påfyllning och rengöring.
- Lämna inte vatten i tanken när enheten inte används.
- Töm och rengör luftfuktaren innan den förvaras. Rengör luftfuktaren

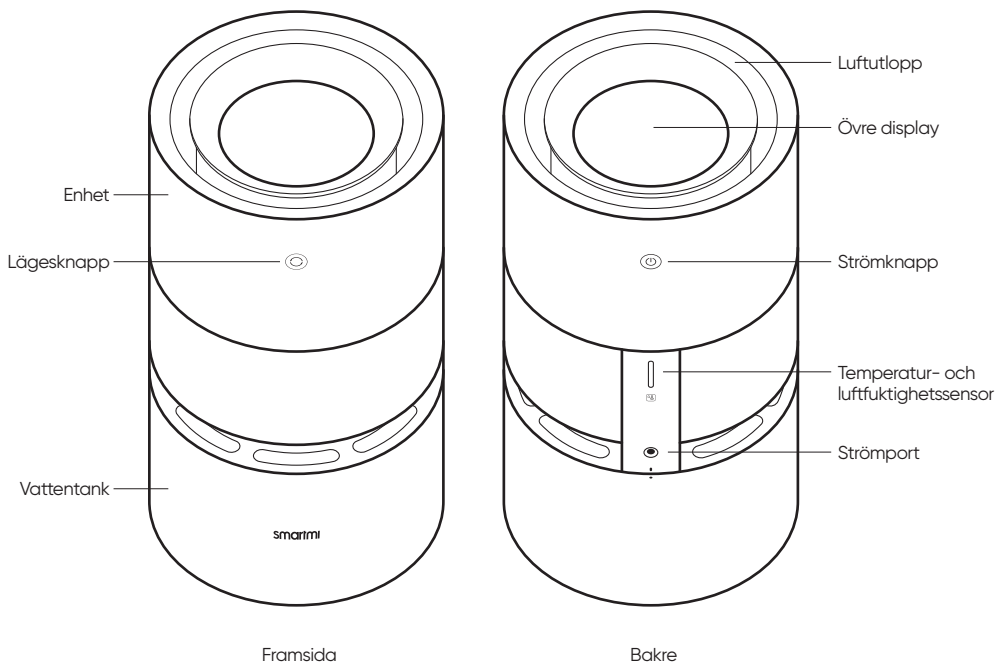
före nästa användning.

- För att förhindra elektriska stötar, brand, personskador och andra skador får du inte använda luftfuktaren när:
 - Huvuddelen av luftfuktaren är lutande. Om luftfuktaren lutas kan det leda till att vattennivån rapporteras felaktigt eller att vattnet rinner över. Luftfuktaren ska placeras på en plan och stabil yta när den används.
 - Det finns närliggande föremål som kan falla eller är instabila.
 - I varma, fuktiga eller blöta utrymmen som t.ex. badrum.
- Använd standardadaptorn som medföljer luftfuktaren för att strömförsörja luftfuktaren. Av säkerhetsskäl måste skadade adaptorer eller nätsladdar bytas ut av tillverkaren eller en fackman från en utsedd reparationsleverantör.
- Använd endast laddaren från Zhongshan Baolijin Electronic Co.,Ltd. BLJ9W120075P-VA
- Plocka ej isär produkten själv ifall det inte krävs för underhåll. För information rörande reparation, kontakta Smartmis kundtjänst.

Produktbeskrivning

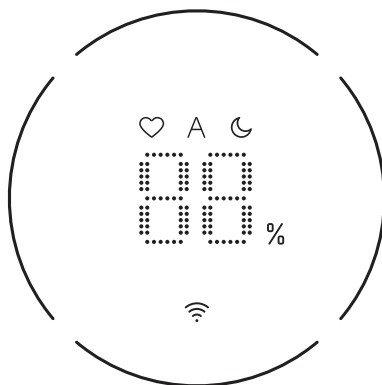
Paketinnehåll: luftfuktare, vattentank, adapter, användarmanual

Läs denna manual noga innan användning, och spara den för framtida användning.



Notera: I den här manualen är produktillustrationerna och illustrationer av tillbehör samt användargränssnittet diagram som endast är till för referens. Den faktiska produkten kan variera från det som visas i schematiska diagram med tanke på produktuppdateringar och uppgraderingar. Vi hänvisar dig vänligen till den faktiska produkten.

Display-beskrivning



Display rörande rummets luftfuktighet



Läge

- ♥ **Max:** Enheten körs i maximalt luftfuktighetsläge.
- A **Automatisk:** hastigheten sätts automatiskt baserat på den nuvarande luftfuktigheten.
- ☾ **Stand-by:** Körning med ultra-lågt ljud



Wi-fi-indikator



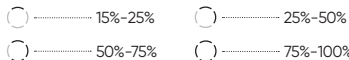
Indikator för vattennivå-ring

Vattenbrist

○ Då enheten upptäcker vattenbrist, m.a.o. vattnet i tanken är mindre än 15%, kommer vattennivå-indikatorn att blinka rött.

Visning av vattennivå i realtid

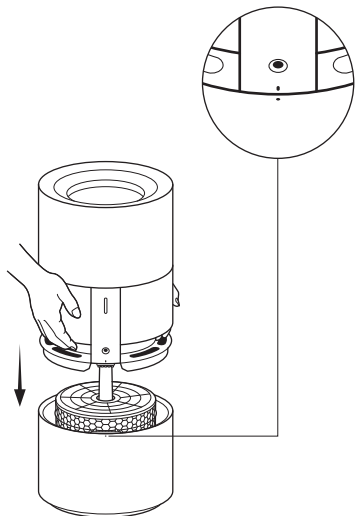
Då luftfuktighetssidan visas kommer ringindikatorn indikera vattennivån i realtid.



Användning

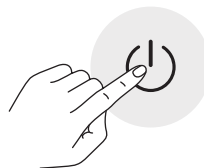
Installation

Justera enhetens och vattentankens riktningpunkter och installera enheten, vänligen se figur. Sätt in strömadaptern för att sätta på enheten.



Att slå på och av enheten

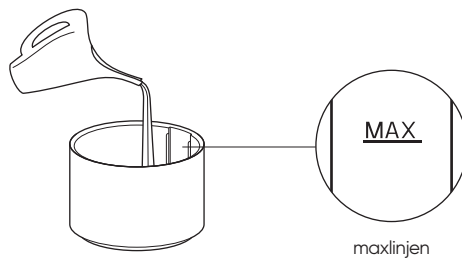
Tryck på strömknappen på enhetens baksida för att slå på och av enheten.



Att fylla enheten

Rent vatten rekommenderas eftersom annat vatten lätt ger upphov till beläggningar.

Fyll vattentanken separat så att den ligger nära fyllningslinjen (maxlinjen).

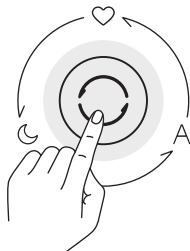


Tips: Håll enheten upprätt.

Användning

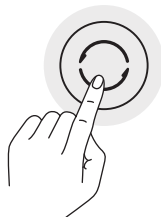
Att byta mellan lägen

Då enheten är påslagen, tryck på lägesknappen på enhetens framsida för att byta mellan tre lägen i sekvensen (Max - Automatisk - Standby).



Att återställa wi-fi

Då du ansluter appen för första gången eller inte lyckas ansluta den, tryck och håll nere lägesknappen under sju sekunder. Wi-fi-ikonen börjar då blinka och enheten sänder ut en notifierings-ton, vilket innebär att enheten är redo att anslutas och att wi-fi:n har återställts.



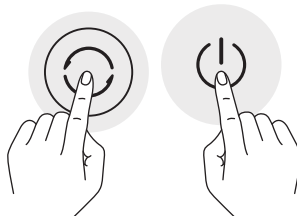
Länkar enheten till Smartmi Link

Denna produkt har länkats till Smartmi Link och kan kontrolleras med hjälp av appen. Skanna QR-koden eller sök efter "Smartmi Link" i app-store för att ladda ner och installera appen. Gå till appens hemsida, klicka på "+" i mitten av sidan och lägg därefter till enheten



Aktivera/Avaktivera Wi-Fi

Tryck och håll in strömknappen och lägesknappen i 7 sekunder. Luftfuktaren ger ifrån sig ett ljud och Wi-Fi inaktiveras. Medan Wi-Fi är inaktiverat trycker du och håller in strömbrytaren och lägesknappen i 7 sekunder. Luftfuktaren ger ifrån sig ett ljud och Wi-Fi har aktiverat.



Notering:

- Vänligen se till att ditt wi-fi nätverk både finns tillgängligt och har tillgång till internet. Placera din telefon så nära denna produkt som möjligt. (Denna produkt har ej stöd för 5G-nätverk)
- Denna produkt kommer att listas som "Smartmi Luftfuktare Regnskog" i appens lista över enheter

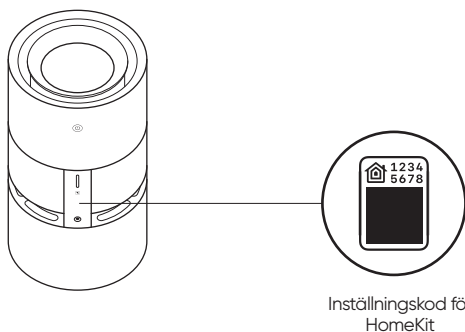
Användning

Intelligent kontroll med Apple HomeKit

- 01 Öppna hem-appen på din iPhone/iPad
- 02 Tryck på "Lägg till tillbehör" och skanna sedan inställningskoden för HomeKit på produktmärket (två märken på enheten, vänligen se illustration) eller ange den åtta-siffriga inställningskoden ovanför inställningskoden för HomeKit. Enheten kommer då att länkas till Apple's hem-app.

Enheten kan länkas till Smartmi Link efter att den länkats till HomeKit. Gå till den personliga info-sidan på Smartmi Link. Tryck på "HomeKit-info" och länka sedan din HomeKit enhet vid förfrågan.

Enheter som länkats till Smartmi Link kan även läggas till i HomeKit. Gå till enhetens kontrollsida på Smartmi Link. Tryck på "Lägg till HomeKit" i "Inställningar" och länka sedan enheten till HomeKit vid förfrågan.



Notering:

- Vänligen se till att ditt wi-fi nätverk både finns tillgängligt och har tillgång till internet. Placera din telefon så nära denna produkt som möjligt. (Denna produkt har ej stöd för 5G-nätverk).
- För att styra detta tillbehör, som är kompatibelt med HomeKit, rekommenderas det att man använder iOS 13.0 eller senare.
- Vänligen spara inställningskoden för HomeKit, då du kommer att behöva skanna koden för att länka enheten till HomeKit efter en fabriksåterställning.
- iPad och iPhone är varumärken tillhörande Apple Inc. och finns registrerade i U.S.A. och andra länder.
- Om man ska kontrollera detta HomeKit-tillbehör automatiskt då man inte är hemma behöver man en HomePod, Apple TV eller iPad som hemma-hub. Det rekommenderas att du uppdaterar till den senaste mjukvaran och det senaste operativsystemet.

* Om du behöver mer detaljerade instruktioner, vänligen besök: <https://www.smartmiglobal.com/pages/helpce>

Självrengöringsläge

Självrengöringsläget kan aktiveras eller avaktiveras på APPn. Efter att självrengöringen är klar kommer enheten att ge av en notifierings-ton och kommer sedan att stängas av och skärmen blir då svart.

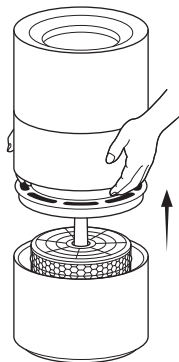
Filterbyte

Varning: Innan du byter ut filtret bör du säkerställa att enheten har stängts av och är bortkopplad.

Notering: För att undvika skador bör du inte placera dina fingrar mellan enheten och vattentanken. Håll enheten upprikt.

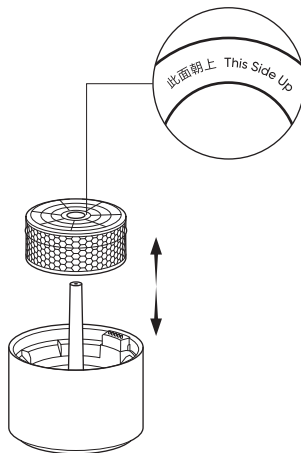
01 Ta bort enheten.

Ta bort enheten genom att dra den uppåt.



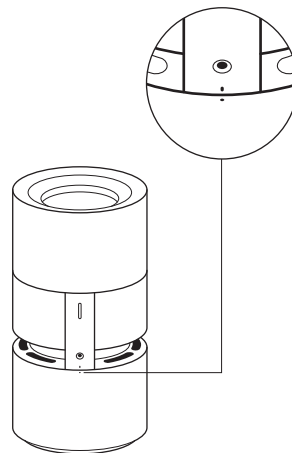
02 Ta ut det använda filtret och installera ett nytt.

Ta ut det använda filtret. Installera ett nytt som är riktat uppåt. Installera enheten.



03 Installation av enheten.

Justera enhetens och vattentankens riktningpunkter och installera enheten.



Var kan jag köpa filter?

Skanna QR-koden eller besök Smartmis officiella shoppingsida <https://smartmiglobal.com/products/smartmi-humidifier-rainforest-filter> för mer information.

Tips:

- Det rekommenderas att du byter ut filter var sjätte månad eller en gång per år.
- Vänligen köp riktiga och kompatibla filter från officiella kanaler.

Underhåll

Varning: Följande körningar kan bara göras efter att enheten har stängts av och blivit frånkopplad. Håll enheten upprätt då du rengör den.

Rengöring av enheten

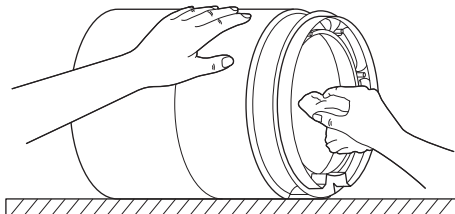
Det behövs en lämplig mängd citronsyre-
rengöringsmedel på livsmedelsnivå för rengöring och
för att ta bort beläggningar i vattentanken, på den
genomskinliga spolen och filtret. Det rekommenderas
generellt att du kör maxläget under ca 15 minuter. Men
detta kan förkortas eller förlängas beroende på rådande
omständigheter. Rengöring
Skölj därefter vattentanken, vattensamlaren och filtret
med rent vatten.

Noteringar:

- För att skydda enheten mot väldigt höga temperaturer, se till att vattentemperaturen för rengöring av enheten inte överskrider 35°C.
- För att förhindra att enheten skadas, använd ej rengöringsmedel som har en hög syrahalt eller är alkali-baserad, och ej heller rengöringslösningar som tenderar att orsaka korrosion.

Rengöring av det genomskinliga fönstret

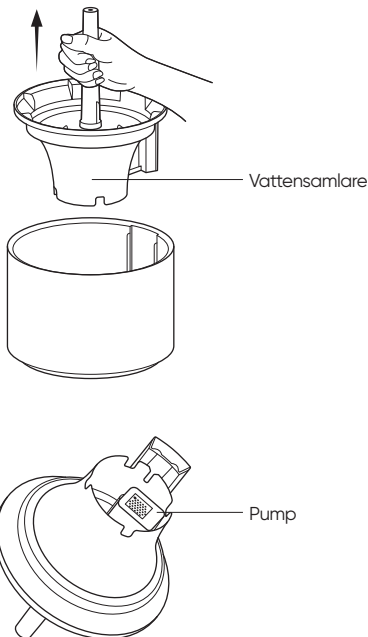
Avlägsna enheten och placera den på ett horisontellt
bord. Samtidigt som du håller enheten med en hand,
rengör du de inre väggarna på det genomskinliga
fönstret försiktigt med en mjuk trasa med den andra.



Notering: Man får ej skölja enheten. Innan du torkar enheten, vrid ur den mjuka duken för att skydda enheten från inträngande vatten.

Rengöring av pumpen

Efter att du avlägsnat enheten och filtret, ta ut
vattensamlaren från vattentanken och vänd den på
sidan. Borsta pumpen nött med en mjuk borste.

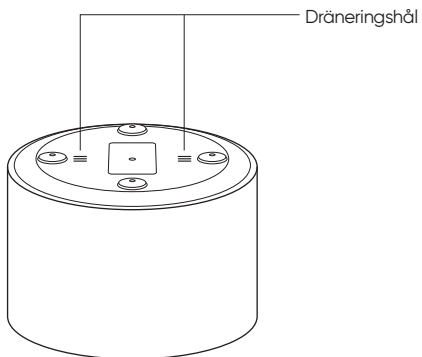
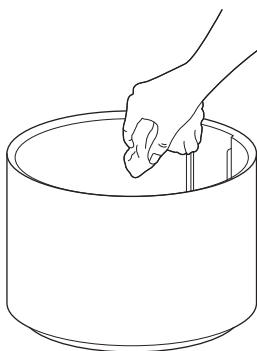


Underhåll

Rengöring av vattentanken

För att förhindra att vattentanken kontamineras och börjar ge av odörer, skölj vattentanken med rent vatten eller torka den med en mjuk tygbit för att hålla den ren.

Det finns dräneringshål på botten av vattentanken. Använd ej vattentanken direkt efter att den har blivit fullt sköljd eller efter att du hållt på alltför mycket vatten av misstag. Placera istället vattentanken på marken med dräneringshålen nedåt för att dränera vattnet från insidan av tanken.



Notering: Det rekommenderas att man rengör vattentanken en gång per vecka eller den frekvens som krävs i enlighet med användningen

Notering

Hantering

- Stäng alltid av luftfuktaren och koppla bort den innan den avlägsnas.
- Innan hantering eller flytt av luftfuktaren, dränera det återstående vattnet från vattentanken.

Installation

- Följ instruktionerna för att installera luftfuktaren korrekt för att förhindra elektriska stötar, brand, skador på person samt andra skador.
- Slå inte på luftfuktaren innan den är helt färdigmonterad.

Adapter

Följ instruktionerna nedan under användning av adaptern för att förhindra elektriska stötar, brand eller skador:

- Anslut adapterkontakten till ett lämpligt uttag.
- Nyp ej eller böj eller vrid adaptersladden alltför mycket. Annars kan sladden inuti gå sönder eller blottas.
- Dra luftfuktaren innan den servas eller förflyttas.
- Luftfuktaren bör få strömförsörjning via den standard-adaptter som kommer med själva luftfuktaren. Med tanke på säkerhetsaspekter måste skadade adapttrar eller strömsladdar bytas ut av tillverkaren eller en fackman från en godkänd reparationsfirma.

Då den körs

- Om luftfuktaren gör onormala ljud, producerar dålig lukt eller blir varm skall den stängas av direkt.
- Placera ej fingrar eller andra yttre föremål i säkerhetsdelar, rörliga delar, luftintag eller luftutsläpp.
- Låt ej föremål som hår eller tyg komma nära huvudenheten, då dessa företag kan fastna eller luftintag eller luftutsläpp eller blockerad dem.
- Luta dig inte på luftfuktaren då den används, och luta ej heller själva luftfuktaren då den används.
- Säkerställ att det finns tillräcklig ventilation då luftfuktaren används samtidigt som hushållsapparater med gas (såsom gasspisar och gasdrivna vattenvärmare) för att förhindra kolmonoxidförgiftning.
- Det rekommenderas att man använder rent vatten med luftfuktaren. Användande av kranvatten kan orsaka beläggningar på pumpen, filtret, tankens innervägg och det genomskinliga fönstret, beroende på vattenkvaliteten. En viss nivå av beläggningar kommer påverka luftfuktarens normala körning. Rengör i så fall i luftfuktaren enligt instruktioner i underhålls-sektionen.

Varningar

- Håll aldrig hett vatten över 35°C i vattentanken för att undvika skador på

maskinen.

- Dra ut stickkontakten vid påfyllning och rengöring.
- "MAX" på vattentanken betyder högsta tillåtna vattennivå vid påfyllning.

Specifikationer

Produktnamn	Smartmi Luftfuktare Regnskog
Modell	CJJSQ06ZM
Körningsprincip	Förångning i spray stil med genomflöde
Dimensioner	Φ 220 × 422mm
Nettovikt	Ca 3.3 kg
Uppskattad ingående ström på adaptern	100-240V~, 50/60Hz, 0.3A
Uppskattad ström	12V ∴
Uppskattad effekt	7W
Ljud	≤50dB(A)
Uppskattad befuktningskapacitet	200mL/h
Uppskattad tank-kapacitet	3L
Trådlös anslutning	Wi-Fi IEEE802.11b/g/n 2.4GHz
Körningstemperatur: 10 ~ 40 °C; luftfuktighet: relativ luftfuktighet ej större än 80% (vid 25 °C)	
RF-specifikation: Wi-Fi 2.4G (2400 - 2483.5 MHz), Max. RF Utgående kraft: <20 dBm Under normal användning bör denna utrustning hållas på ett separationsavstånd på minst 20 cm mellan antennen och användarkroppen.	

Notera: Ljud mäts i en laboratoriemiljö.

Strömadapter

Publicerad information	Värde och precision	Enhet
Tillverkare	Zhongshan Baolijin Electronic Co.Ltd.	-
Modellidentifierare	BLJ9W120075P-VA	-
Ingående spänning	100-240	V~
Ingående AC-frekvens	50/60	Hz
Utgående spänning	12.0	V∴
Utgående ström	0.75	A
Utgående kraft	90	W
Medel aktiv effekt	83.81	%
Effekt vid låg belastning (10%)	75.21	%
Icke belastad strömkonsumtion	0.072	W

Information om regelefterlevnad

EU-försäkran om överensstämmelse

CE Härmed intygar Smartmi Luftfuktare Regnskog att radioutrustningstypen CJJSQ06ZM överensstämmer med direktivet 2014/53/EU. Den fullständiga texten till EU-försäkran om överensstämmelse finns på följande Internetadress: <https://www.smartmiglobal.com/doc.html>

Information om avfall och återvinning



Alla produkter märkta med den här symbolen är el- och elektronikprodukter (WEEE i enlighet med direktivet 2012/19/EU) och får inte avyttras tillsammans med osorterat hushållsavfall. Du bör istället skydda människors hälsa och miljön genom att lämna in ditt el- och elektronikavfall till de samlingsstationer för återvinning av el- och elektronikutrustning som tillhandahålls av statliga eller lokala myndigheter. Korrekt avyttring och återvinning bidrar till att minska negativa konsekvenser för miljön och människors hälsa. Kontakta installatören eller de lokala myndigheterna för mer information om dessa samlingsplatser och vilka villkor som gäller.

Manufactured by: Beijing Smartmi Electronic Technology Co., Ltd.
Address: Room 6111, 1st Floor, Building 6, No.18 Xueqing Road, Haidian District, Beijing, China

For detailed e-manual, please go to <https://www.smartmiglobal.com/pages/manual>
For more information, please visit: <https://www.smartmiglobal.com/>
Need support? Please contact smartmi customer service: onlinesupport@smartmiglobal.com

Hersteller: Beijing Smartmi Electronic Technology Co., Ltd.
Adresse: Room 6111, 1st Floor, Building 6, No.18 Xueqing Road, Haidian District, Beijing, China

Ein detailliertes elektronisches Handbuch finden Sie unter <https://www.smartmiglobal.com/pages/manual>
Weitere Informationen finden Sie unter: <https://www.smartmiglobal.com/>
Wenn Sie Unterstützung benötigen, wenden Sie sich bitte an den Kundendienst von Smartmi unter onlinesupport@smartmiglobal.com

Изготовитель: Beijing Smartmi Electronic Technology Co., Ltd.
Адрес: Room 6111, 1st Floor, Building 6, No.18 Xueqing Road, Haidian District, Beijing, China

Подробное электронное руководство см. по адресу <https://www.smartmiglobal.com/pages/manual>
Для получения дополнительной информации см.: <https://www.smartmiglobal.com/>
Нужна поддержка? Обратитесь в службу поддержки клиентов Smartmi по адресу: onlinesupport@smartmiglobal.com

Fabricado por: Beijing Smartmi Electronic Technology Co., Ltd.
Dirección: Room 6111, 1st Floor, Building 6, No.18 Xueqing Road, Haidian District, Beijing, China

Para obtener un manual electrónico detallado, vaya a <https://www.smartmiglobal.com/pages/manual>
Para obtener más información, visite: <https://www.smartmiglobal.com/>
¿Necesita ayuda? Contacte el servicio al cliente de smartmi: onlinesupport@smartmiglobal.com

Fabbricato da: Beijing Smartmi Electronic Technology Co., Ltd.
Indirizzo: Room 6111, 1st Floor, Building 6, No.18 Xueqing Road, Haidian District, Beijing, China

Per un manuale elettronico dettagliato, si prega di visitare <https://www.smartmiglobal.com/pages/manual>
Per ulteriori informazioni, si prega di visitare: <https://www.smartmiglobal.com/>
Hai bisogno di assistenza? Si prega di contattare il servizio clienti Smartmi: onlinesupport@smartmiglobal.com

Producent: Beijing Smartmi Electronic Technology Co., Ltd.
Adres: Room 6111, 1st Floor, Building 6, No.18 Xueqing Road, Haidian District, Beijing, China

Szczegółową instrukcję elektroniczną można znaleźć pod poniższym adresem: <https://www.smartmiglobal.com/pages/manual>
Więcej informacji można znaleźć na stronie: <https://www.smartmiglobal.com/>
Potrzebujesz pomocy? Skontaktuj się z działem obsługi Smartmi: onlinesupport@smartmiglobal.com

Tillverkad för: Beijing Smartmi Electronic Technology Co., Ltd.
Address: Room 6111, 1st Floor, Building 6, No.18 Xueqing Road, Haidian District, Peking, Kina

För en detaljerad e-manual, gå till: <https://www.smartmiglobal.com/pages/manual>
För ytterligare information, gå till: <https://www.smartmiglobal.com/>
Behöver du hjälp? Vänligen kontakta smartmi's kundjänst: onlinesupport@smartmiglobal.com

www.smartmiglobal.com